

Notice

All information contained in this manual is based on the latest product information at the time of publication. Bajaj Auto Limited accepts no liability for any inaccuracies or omissions in this publication, although every possible care has been taken to make it as complete and accurate as possible. All procedures and specifications subject to change without prior notice. The right is reserved to make such changes at any time without prior notice and without incurring an obligation to make such changes to product manufactured previously. Contact your authorized Bajaj Dealer for the latest information on product improvements incorporated after this manual was issued.

DOC. NO.: 71111029

REV. 00, MAR. 12

Foreword

We have pleasure in presenting the Spare Parts Catalogue for 'Bajaj Platina 125' Motorcycle. This catalogue has been specially designed to assist you in selecting the correct parts for procurement to maintain 100% availability.

The Bajaj spares are subjected to the stringent quality control standards to ensure longer life of the vehicle. It is therefore necessary that only the Genuine Bajaj Spares are used.

In a continual effort to improve Performance and Efficiency of the vehicles, Specifications, Diagrams, Illustrations and Part Numbers can change without notice. Consequently, the description in this Spare Parts Catalogue cannot therefore be final and binding on us.

The modifications / alterations which are carried out after the issue of this catalogue, will be conveyed to you through our Service Circulars. You are requested to make necessary corrections in the Parts Catalogue as per the circulars so as to keep your catalogue up-to-date. This will ensure the appropriate and speedy delivery of the Spare Parts as the order placed will bear the latest part numbers.

In case, if you need any technical assistance contact the concerned Regional Office or write to us on the following address :

Bajaj Auto Limited**Service Department**

Akurdi, Pune 411 035 India

Phone : 020-27406557

Fax : 020-27407385

Instructions

- 1. How to Read the Catalogue :** Open the catalogue and from the pictorial index locate the group in which the part you want to find is present. Turn over to the concerned page number (as given by pictorial index). Now find out the figure of the part you wish to order. Write down the part number against that particular figure number from the text.

In case, if you have the part number and you need the other details, the part index can be used. The part index (at the end of the catalogue) will give you the figure and page number of the part you wish to order.

- 2. How to Order Spare Parts :** The part number and the description of the part required should be invariably mentioned in the order as per the catalogue text.

The latest part number as conveyed through our service circulars should only appear on the order. In case of ordering painted components, colour shade of the components should be mentioned.

The quantity shown against the part number is the quantity per vehicle for that group so that particular quantity should be multiplied by the number of sets required.

- 3. Part Number System :** We have used 8 digit system for part numbers. The model or hardware item is indicated by first two digits or alphanumeric, the next two or four digits indicate main group and the last four or two digits indicate serial number in main group or serial number or subgroup of fastener respectively. Thus the part numbers will be indicated by 2-2-4 or 2-4-2 digit system. Understanding this system will enable you to identify the spare parts easily.

- 4. Abbreviations :** The following abbreviations are used in this catalogue.

Assly	Assembly	V	Volts
N.I.	Not illustrated	W	Watts
C'case	Crankcase	Accl.	Accelerator
Cyl	Cylinder	Comp.	Complete
O/s	Over size	Fr.	Front
Rr.	Rear	Std.	Standard
L	Length	A/t.	Alternate
R.H.	Right hand	L.H.	Left hand
Hex.	Hexagonal	AR	As required

Index

Plate No.	Description	Page No.
1	Cover Cylinder Head	2
2	Cylinder Head	4
3	Valve	6
4	Camshaft / Tensioner	8
5	Cylinder Block & Piston	10
6	Crankshaft	12
7	Transmission	14
8	Change Drum / Shift Fork	16
9	Gear Change Mechanism	18
10	Engine Assly & Crankcase RH	20
11	Crankcase LH	22
12	Cover Clutch	24
13	Cover Magneto	26
14	Clutch	28
15	Kick Starter Mechanism	30
16	Carburettor	32
17	Air Cleaner Complete	34
18	Silencer Assly	36
19	Oil Pump	38
20	Starter & Motor Assly	40
21	Magneto / C.D.I. / H.T. Coil	42
22	Seat Assly / Seat Lock	44
23	Engine Mountings	46
24	Frame & Frame Fitting	48
25	Swing Arm / Rear Shock Absorber	50
26	Rider & Pillion Foot Rest	52
27	Mudguard Front & Rear	54
28	Stand Assembly	56
29	Tyre/ Tube / Rim	58
30	Front Hub	60, 62

Index

Plate No.	Description	Page No.
31	Rear Hub	64, 66
32	Rear Brake Pedal	68
33	Handle Bar	70, 72
34	Front Fork	74
35	Painted Parts & Decals	76
36	Petrol Tank, Cap Tank & Gauge Fuel	78
37	Fittings - Petrol Tank, Side Cover & Cover Seat	80
38	Meter Assly.	82
39	Control Cables	84
40	Chain Case	86
41	Head Lamp & Fairing	88
42	Indicator Light Assly.	90
43	Tail Lamp Assly. / Front No. Plate	92
44	Electrical Equipments	94
45	Tool Kit	96
46	Accessories / Grab Handle	98
	Kits List	99, 100, 101, 102
	Amendment Sheet (Parts Added)	103
	Amendment Sheet (Parts Deleted)	104
	Parts Index	105

Pictorial Index

PLATE NO. : 1 COVER CYLINDER HEAD	PAGE NO. 2

PLATE NO. : 2 CYLINDER HEAD	PAGE NO. 4

PLATE NO. : 3 VALVE	PAGE NO. 6

PLATE NO. : 4 CAMSHAFT / TENSIONER	PAGE NO. 8

Pictorial Index

PLATE NO. : 5 CYLINDER BLOCK & PISTON	PAGE NO. 10

PLATE NO. : 6 CRANKSHAFT	PAGE NO. 12

PLATE NO. : 7 TRANSMISSION	PAGE NO. 14

PLATE NO. : 8 CHANGE DRUM / SHIFT FORK	PAGE NO. 16

Pictorial Index

PLATE NO. : 9 GEAR CHANGE MECHANISM	PAGE NO. 18

PLATE NO. : 10 ENGINE ASSLY & CRANKCASE RH	PAGE NO. 20

PLATE NO. : 11 CRANKCASE LH	PAGE NO. 22

PLATE NO. : 12 COVER CLUTCH	PAGE NO. 24

Pictorial Index

PLATE NO. : 13 COVER MAGNETO	PAGE NO. 26

PLATE NO. : 14 CLUTCH	PAGE NO. 28

PLATE NO. : 15 KICK STARTER MECHANISM	PAGE NO. 30

PLATE NO. : 16 CARBURETOR	PAGE NO. 32

Pictorial Index

PLATE NO. : 17 AIR CLEANER COMPLETE	PAGE NO. 34

PLATE NO. : 18 SILENCER ASSLY	PAGE NO. 36

PLATE NO. : 19 OIL PUMP	PAGE NO. 38

PLATE NO. : 20 STARTER ASSLY	PAGE NO. 40

Pictorial Index

PLATE NO. : 21 MAGNETO / C.D.I. / H.T. COIL	PAGE NO. 42

PLATE NO. : 22 SEAT ASSLY / SEAT LOCK	PAGE NO. 44

PLATE NO. : 23 ENGINE MOUNTINGS	PAGE NO. 46

PLATE NO. : 24 FRAME & FRAME FITTINGS	PAGE NO. 48

Pictorial Index

PLATE NO. : 25 SWING ARM / RR. SHOCK ABSORBER	PAGE NO. 50

PLATE NO. : 26 RIDER & PILLION FOOT REST	PAGE NO. 52

PLATE NO. : 27 MUDGUARD FRONT & REAR	PAGE NO. 54

PLATE NO. : 28 STAND ASSLY	PAGE NO. 56

Pictorial Index

PLATE NO. : 29 TYRE / TUBE / RIM	PAGE NO. 58

PLATE NO. : 30 FRONT HUB	PAGE NO. 60, 62

PLATE NO. : 31 REAR HUB	PAGE NO. 64, 66

PLATE NO. : 32 REAR BRAKE PEDAL	PAGE NO. 68

Pictorial Index

PLATE NO. : 33 HANDLE BAR	PAGE NO. 70, 72

PLATE NO. : 34 FRONT FORK	PAGE NO. 74

PLATE NO. : 35 PAINTED PARTS & DECALS	PAGE NO. 76

PLATE NO. : 36 PETROL TANK, CAP TANK & GAUGE FUEL	PAGE NO. 78

Pictorial Index

PLATE NO. : 37 FITTINGS- PETROL TANK, SIDE COVERS & COVER SEAT	PAGE NO. 80

PLATE NO. : 38 METER ASSEMBLY	PAGE NO. 82

PLATE NO. : 39 CONTROL CABLE	PAGE NO. 84

PLATE NO. : 40 CHAIN CASE	PAGE NO. 86

Pictorial Index

PLATE NO. : 41
HEAD LAMP & FAIRING

PAGE NO.
88

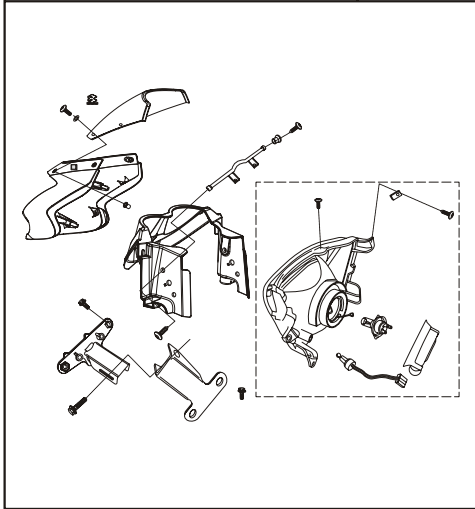


PLATE NO. : 42
INDICATOR LIGHT ASSEMBLY

PAGE NO.
90

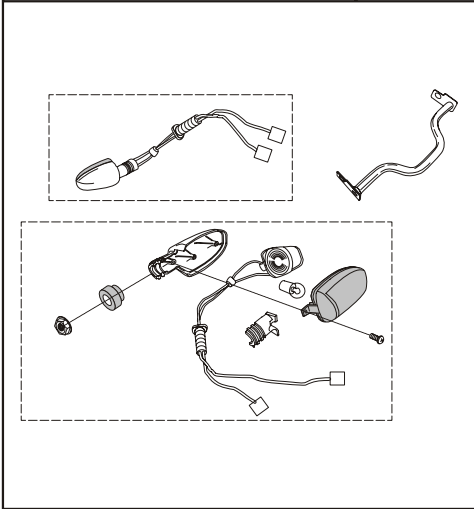


PLATE NO. : 43
TAIL LAMP ASSLY. / FRONT
NUMBER PLATE

PAGE NO.
92

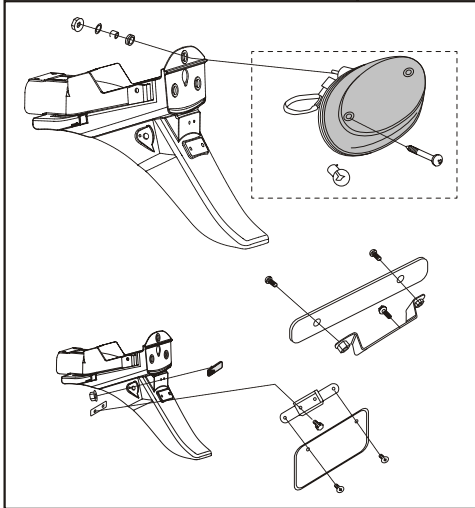
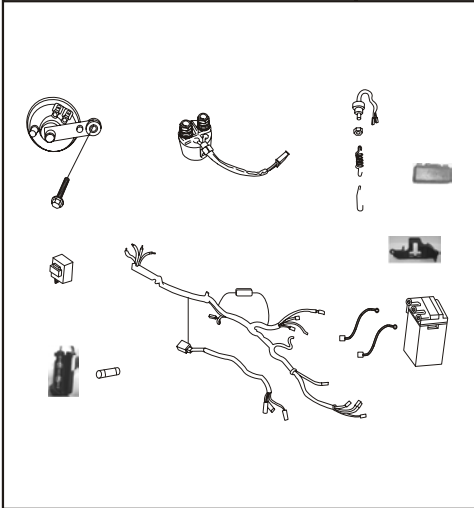


PLATE NO. : 44
ELECTRICAL EQUIPMENTS

PAGE NO.
94



Pictorial Index

PLATE NO. : 45
TOOL KIT

PAGE NO.
96

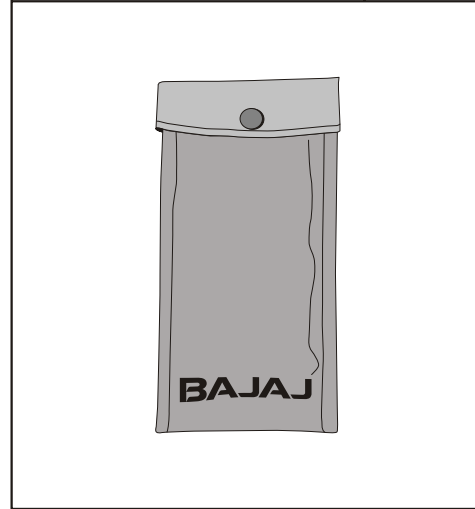
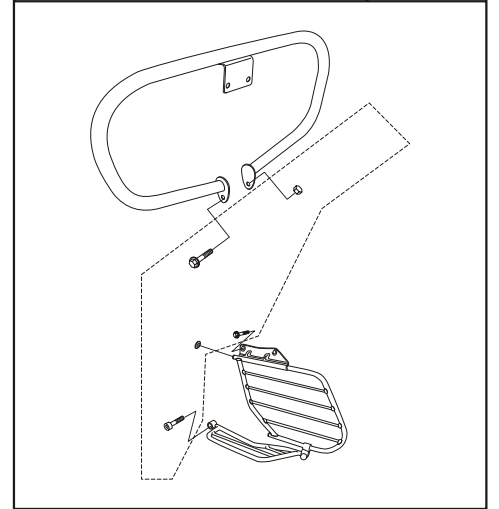
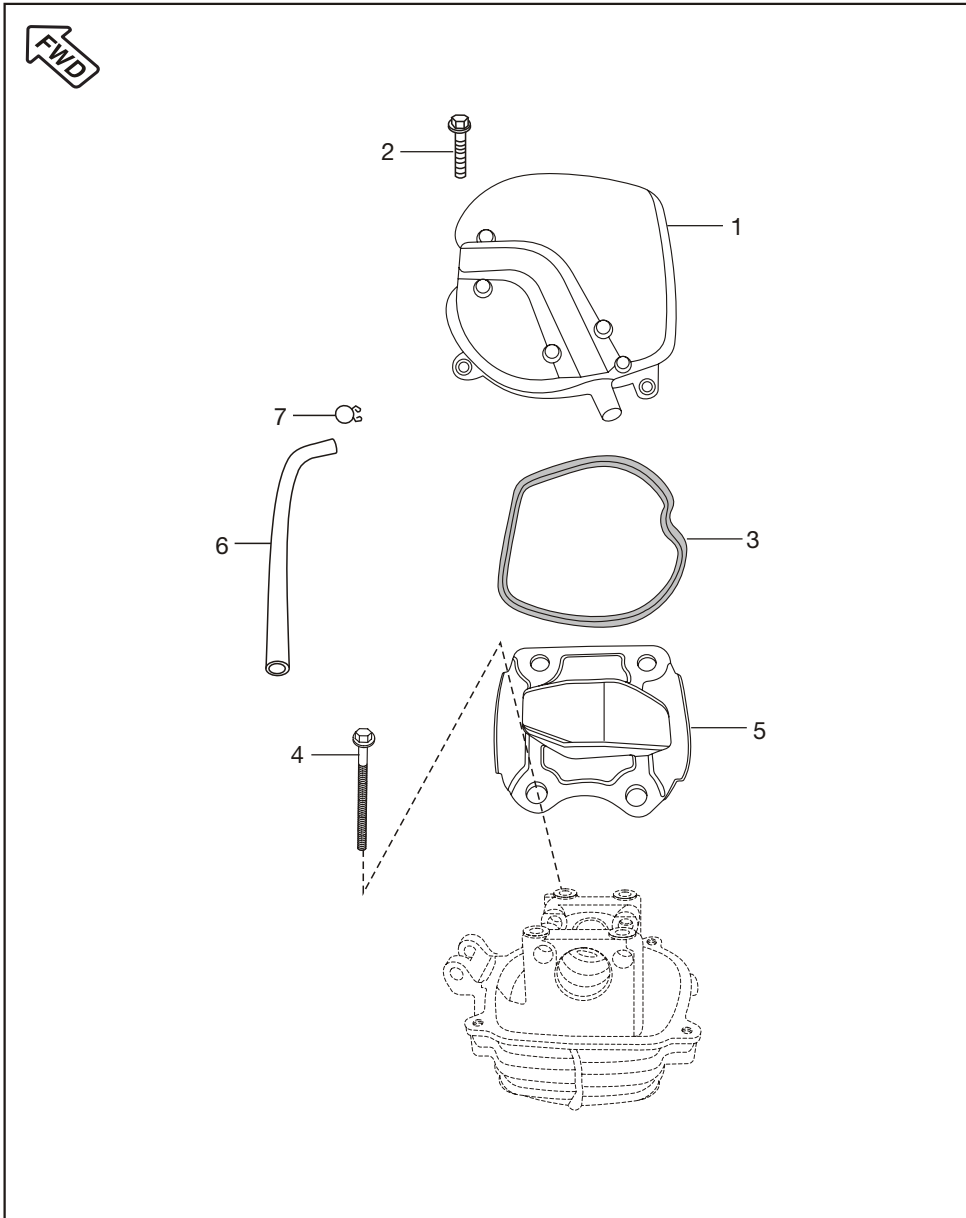


PLATE NO. : 46
ACCESSORIES / GRAB HANDLE

PAGE NO.
98

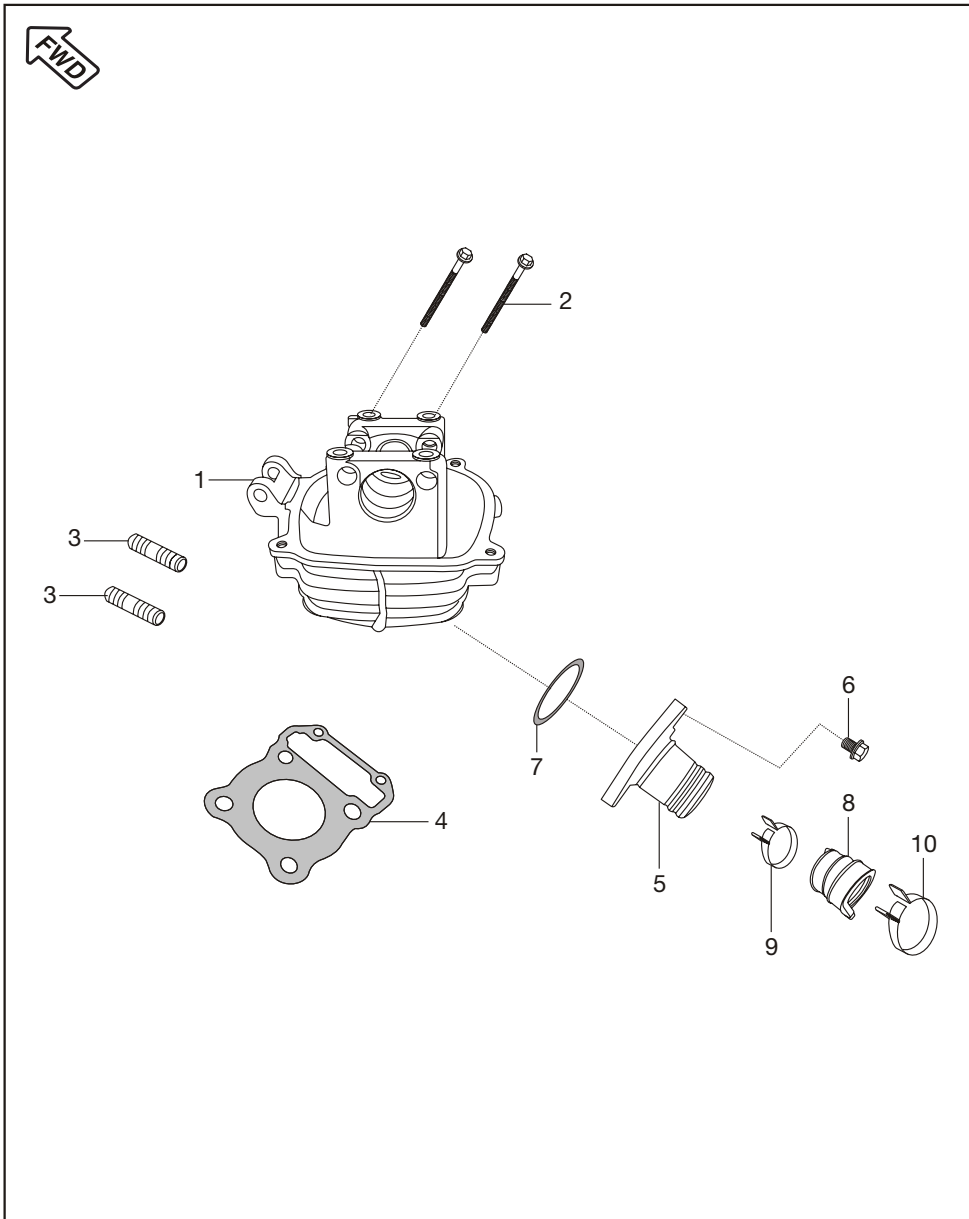


Cover Cylinder Head



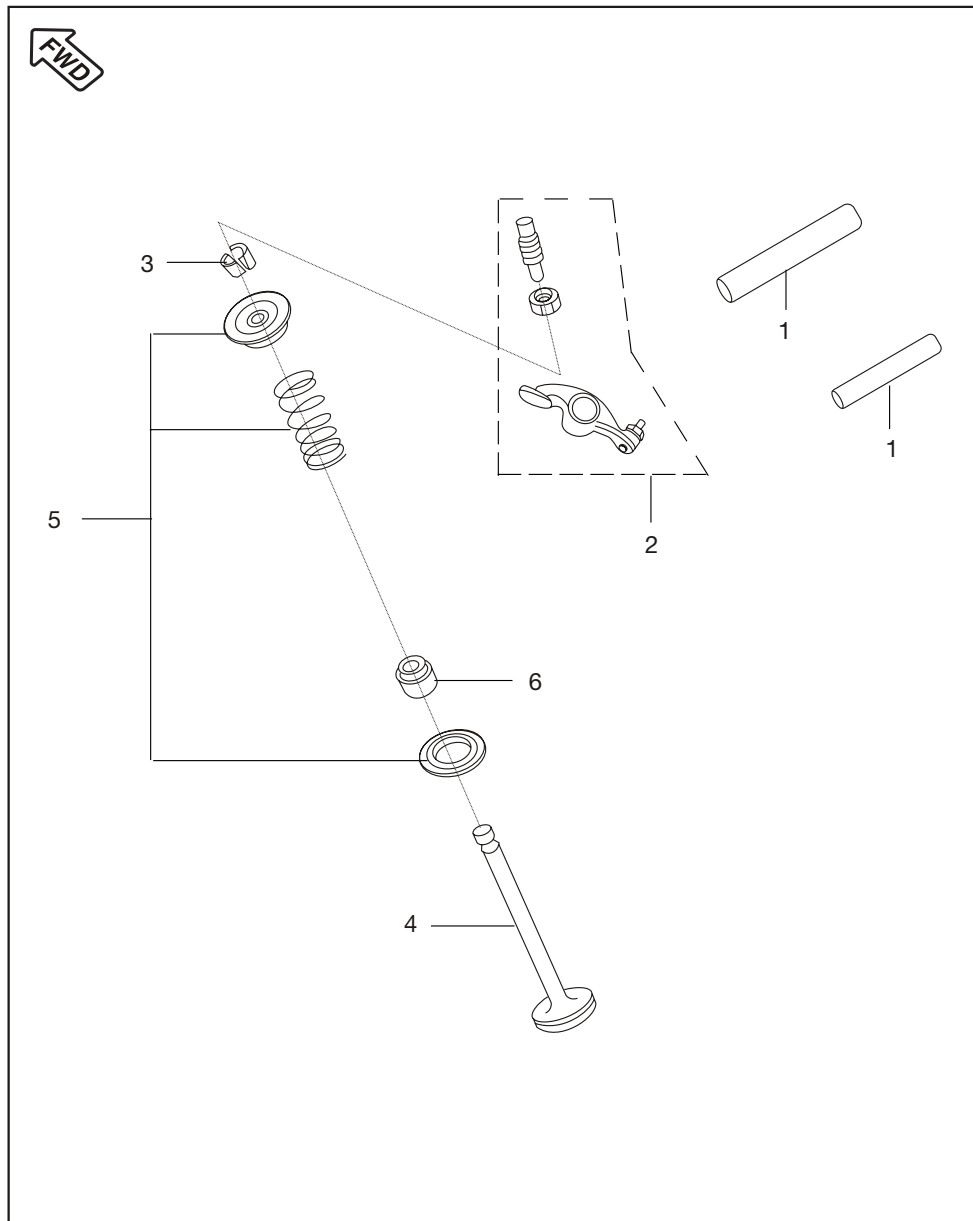
No.	Part No.	Description	ES Drum	Remarks
1	JV 5110 13	Cylinder head cover complete	1	
2	JV 5410 07	Bolt flange	4	
3	JV 5110 12	Gasket head cover	1	
4	JB 5110 11	Bolt head Mounting	4	
5	JV 5110 11	Plate breather	1	
6	JA 5110 11	Hose Breather	1	
7	JA 5110 29	Clamp Breather Tube	1	

Cylinder Head



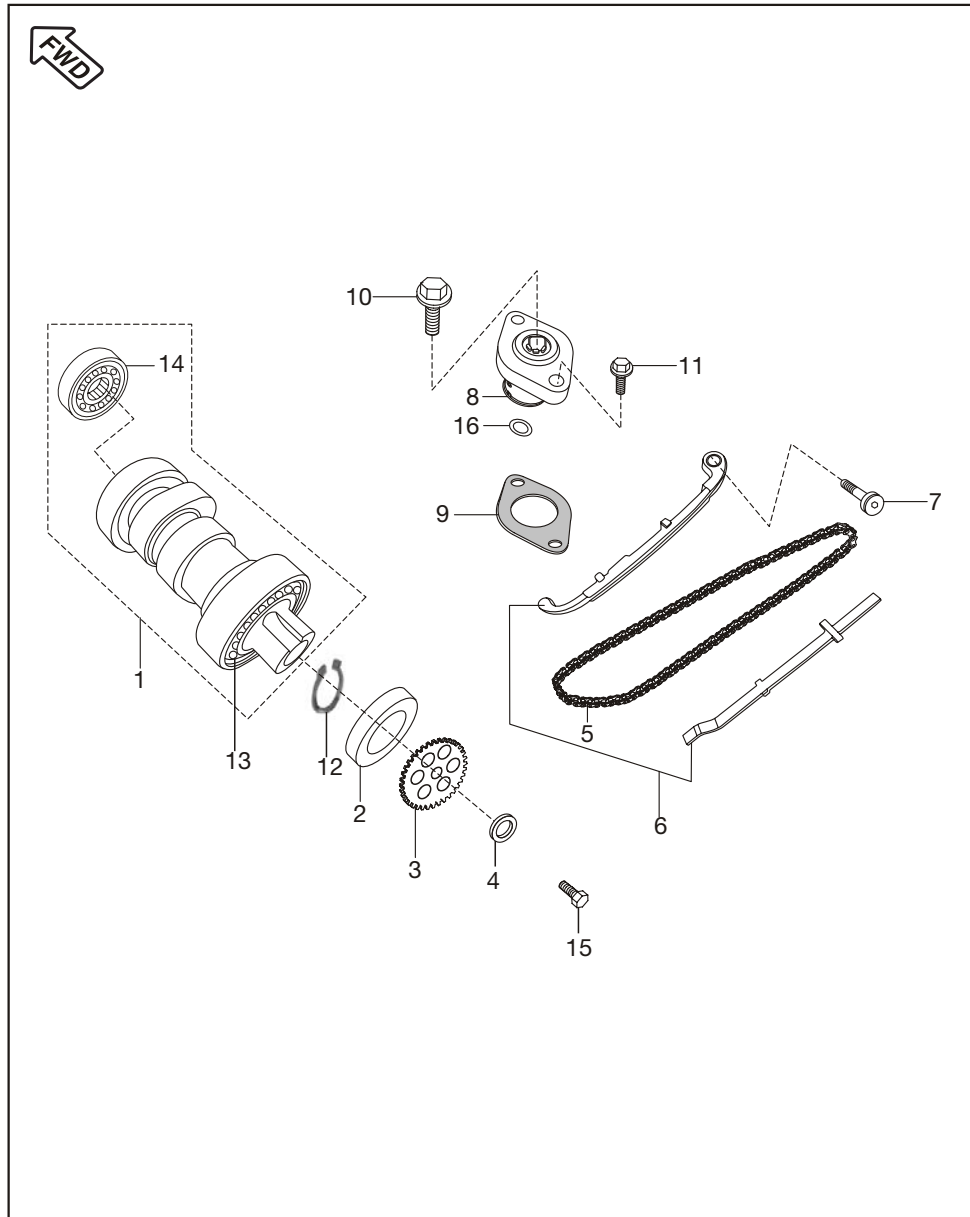
No.	Part No.	Description	ES Drum	Remarks
1	36 JK00 33	Head cylinder complete with valve guide & studs	1	
2	JA 5110 05	Bolt head mounting	2	M8x1.25x196L
3	JA 5110 28	Stud	2	
4	JA 5110 06	Gasket cylinder head	1	
5	JK 5814 01	Intake manifold (Rubber)	1	
6	JA 5814 06	Bolt flange	2	M6x1x25L Alternate 39 1674 04
7	39 1283 21	'O' Ring	2	
8	JK 5814 00	Sleeve carburettor	1	
9	JA 5812 18	Clamp 35 mm	1	
10	JA 5814 07	Clamp 39 mm	1	

Valve



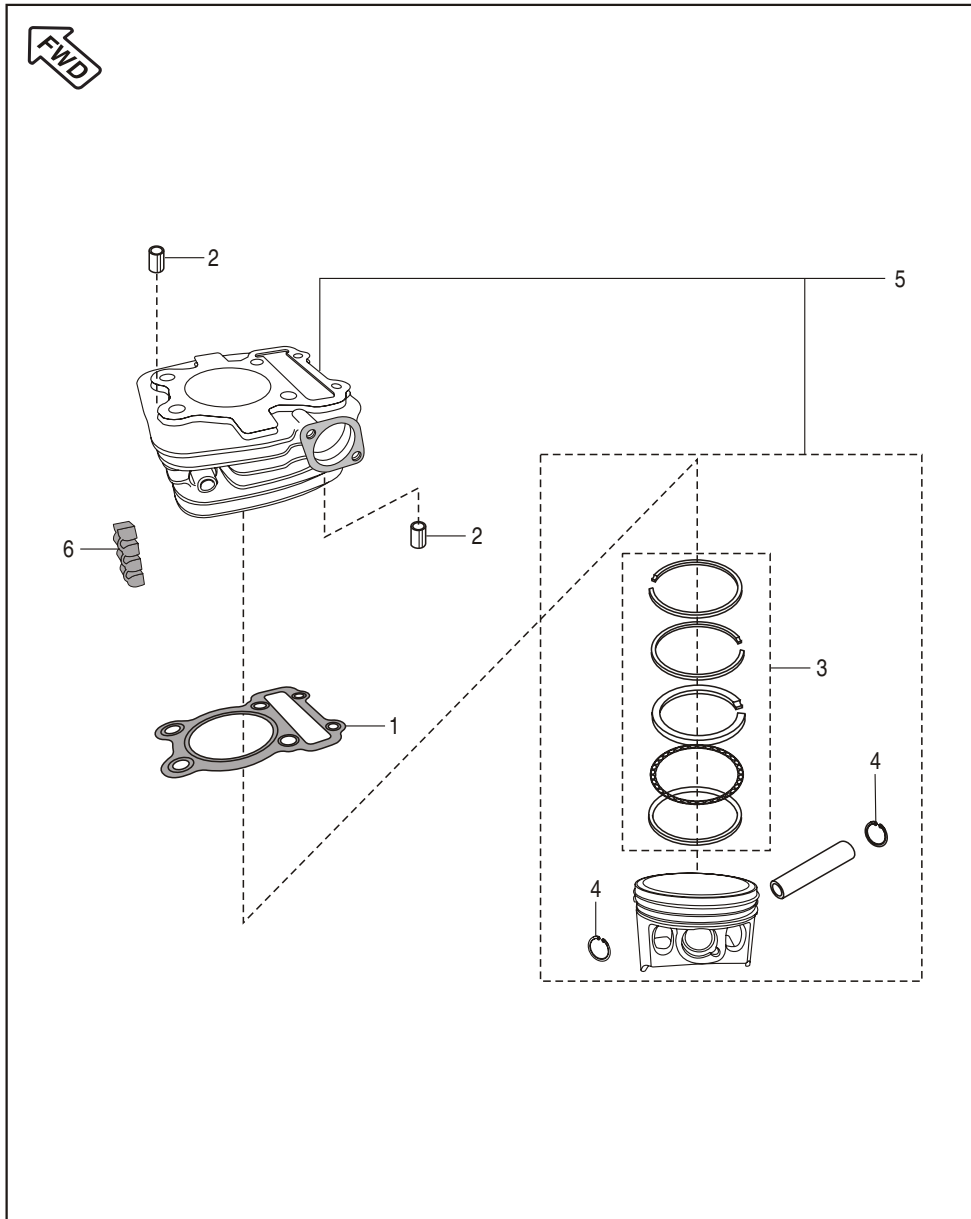
No.	Part No.	Description	ES Drum	Remarks
1	JV 5110 06	Shaft Rocker arm	2	
2	31 1010 20	Rocker arm Pad Type	2	
3	DG 1010 29	Cotter Valve	4	
4	36 JK00 11	Valve kit	1	Ref. page no. 99
5	36 JA00 03	Valve repair kit	1	Ref. page no. 99
6	39 2017 19	Seal valve stem	2	

Camshaft / Tensioner



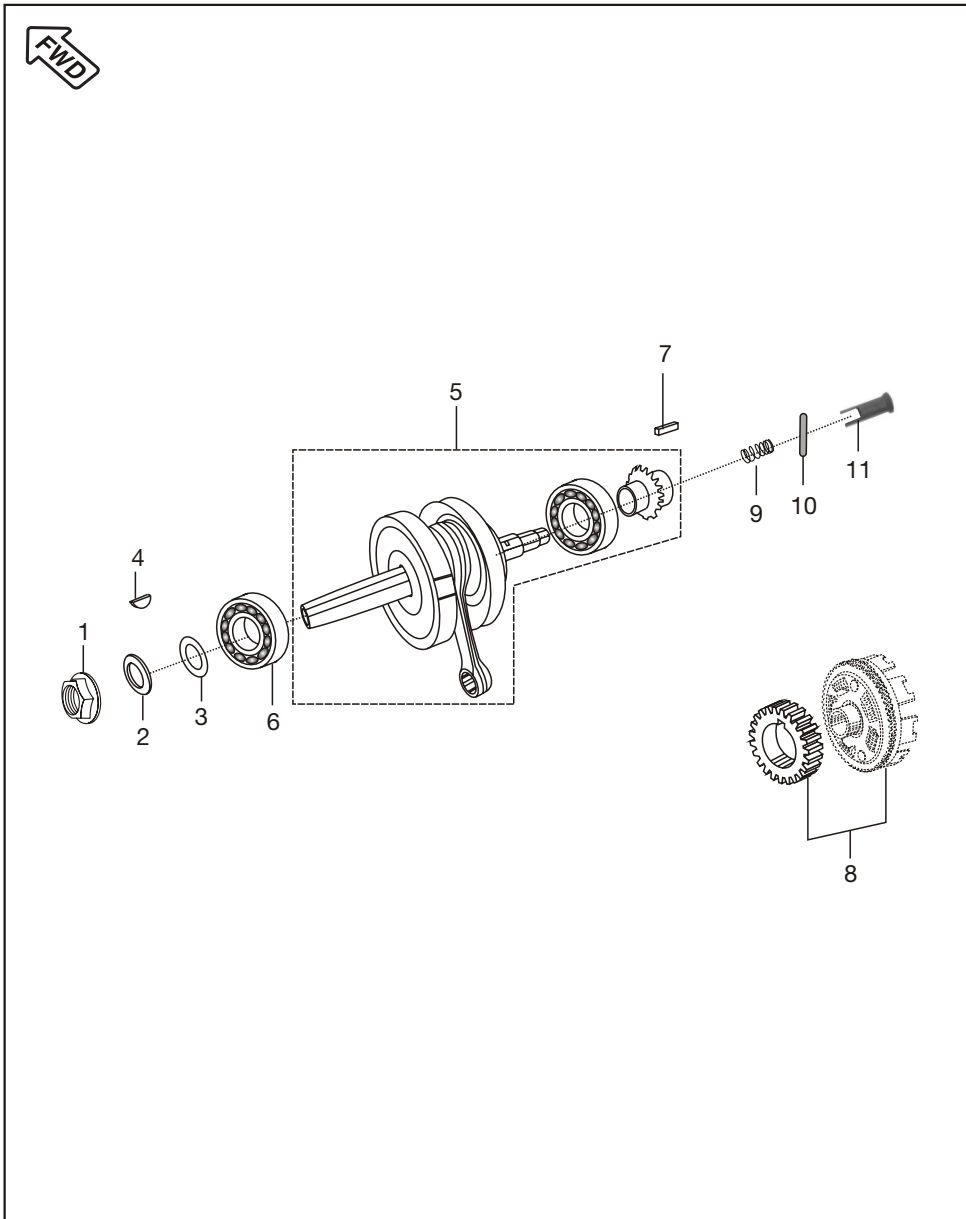
No.	Part No.	Description	ES Drum	Remarks
1	JV 5110 07	Camshaft assly complete	1	
2	JA 5112 16	Spacer cam sprocket	1	
3	JA 5112 17	Sprocket cam shaft	1	
4	DH 1010 48	Special washer	1	
5	JB 5310 05	Cam chain (90 links)	1	
6	36 JK00 12	Guide chain kit	1	Ref. page no. 99
7	DH 1013 92	Bolt special	1	
8	JA 5210 17	Tensioner (Black) assly chain	1	
9	CS 1011 28	Gasket	1	
10	JA 5210 18	Bolt tensioner	1	
11	JA 5210 19	Flange bolt	2	Adjuster assly chain mtg.
12	39 0594 17	Circlip for locking cam shaft	1	
13	39 2683 20	Ball bearing	1	
14	39 1880 20	Ball bearing	1	
15	39 2198 04	Bolt camshaft	1	
16	39 2669 21	'O' ring tensioner	1	

Cylinder Block and Piston



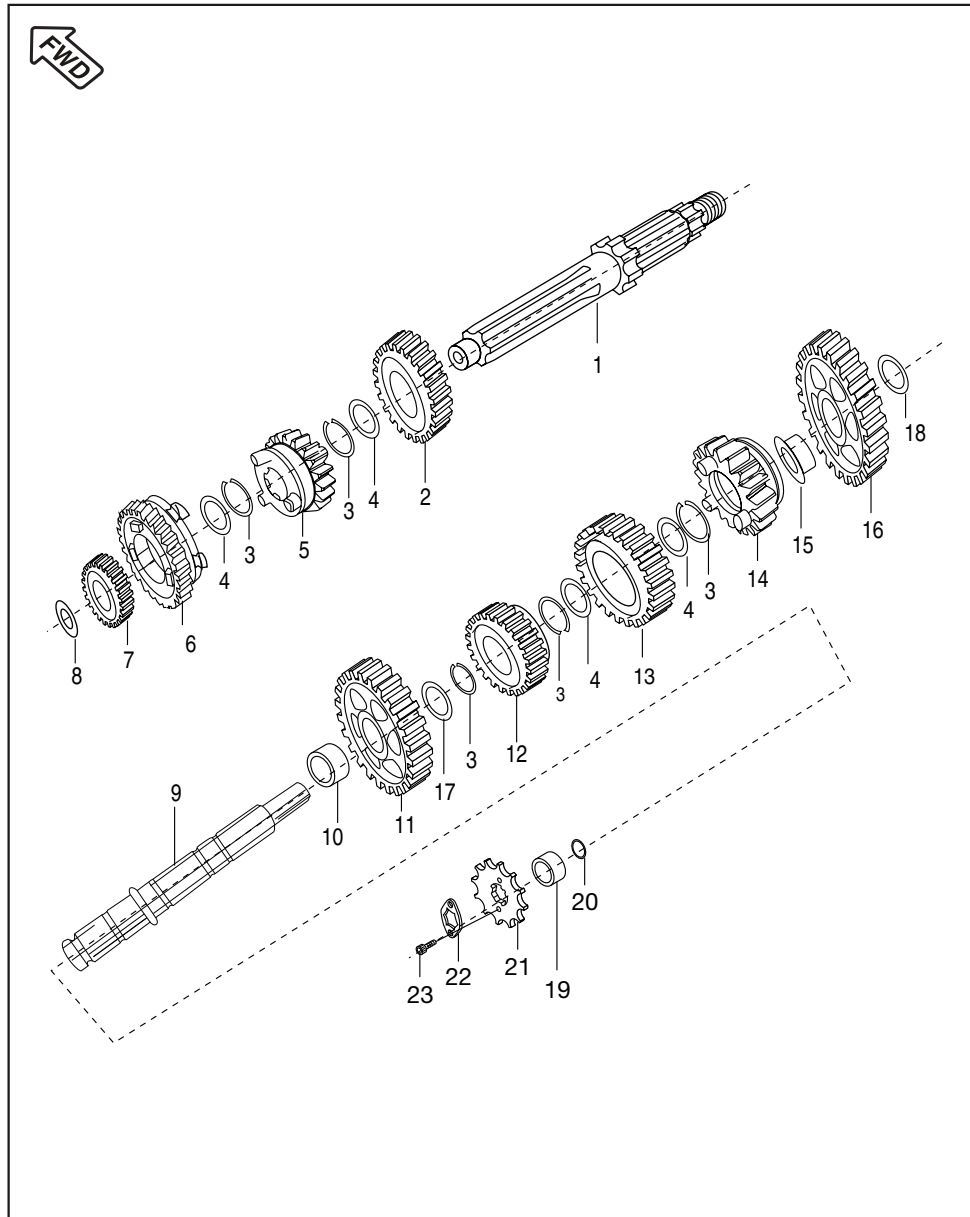
No.	Part No.	Description	ES Drum	Remarks
1	JA 5210 01	Gasket cylinder black	1	
2	39 1000 06	Hollow dowel pin	2	
3	36 JW00 10	Piston ring set	1	Ref. Page No. 99
4	DP 1011 65	Ring snap	2	
5	36 JK00 31	Cylinder block / Piston assly	1	
6	JA 5210 15	Damper cylinder block	2	

Crankshaft



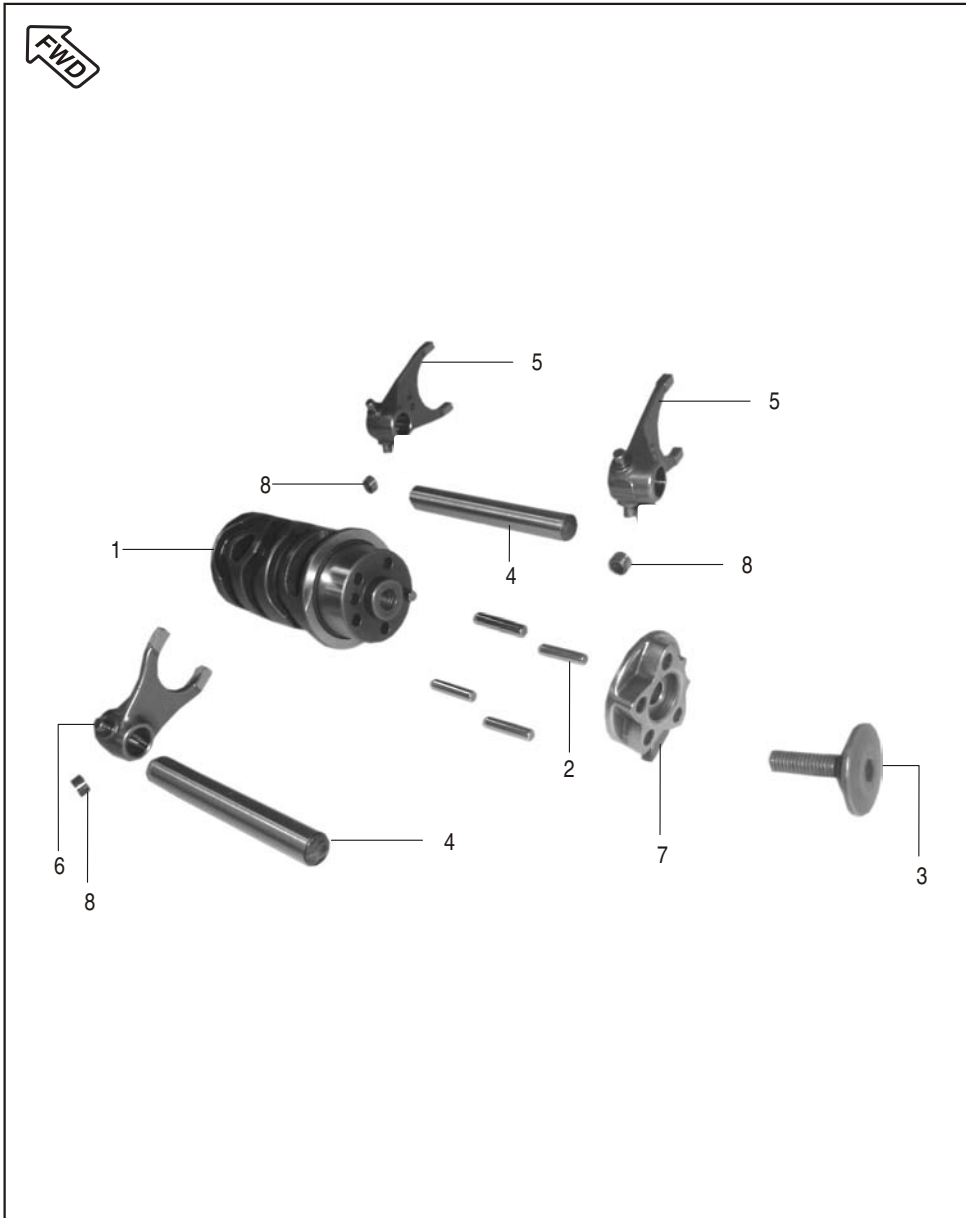
No.	Part No.	Description	ES Drum	Remarks
1	59 1500 14	Nut flange	1	
2	59 1100 08	Washer Plain	1	
3	59 1200 03	Belleville Washer	1	
4	31 1011 73	Key woodruff	1	
5	JK 5310 00	Crank shaft assly.	1	
6	39 1864 20	Ball bearing	2	20x52x15
7	DS 1011 54	Key Parallel	1	
8	36 PA00 06	Set primary drive / driven	1	Ref. page no. 99
9	JA 531012	Spring	1	
10	JA 5310 15	Pin (Crankshaft plunger)	1	
11	JB 5310 21	Plunger oil	1	
12	JD 5310 04	Spacer crankshaft	1	N.I.

Transmission



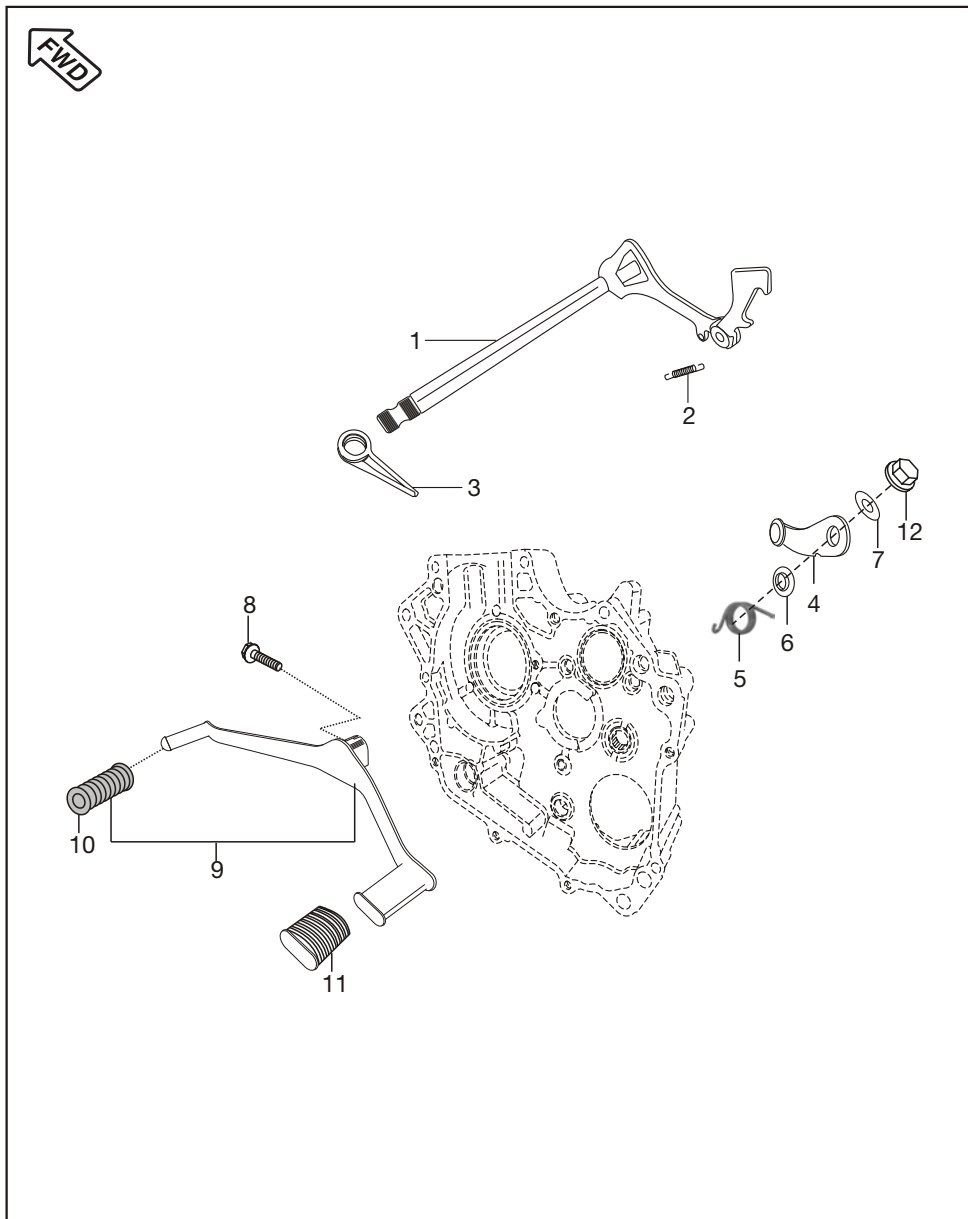
No.	Part No.	Description	ES Drum	Remarks
1	JD 5510 00	Shaft Input Transmission	1	
2	JD 5512 07	Gear 4th Drive	1	
3	39 0987 17	Ring Snap	5	
4	JA 5510 02	Spline Washer	4	
5	JD 5512 06	Gear 3rd Drive	1	
6	JD 5512 05	Gear 5th Drive	1	
7	JD 5512 01	Gear 2nd Drive	1	
8	JA 5510 04	Washer Thrust 2nd Drive	1	
9	JD 5510 02	Shaft Output Transmission	1	Old
	JV 5510 02	Shaft Output Transmission	1	Ref. Circular IB-12
10	JD 5512 08	Bush 2nd Driven	1	
11	JD 5512 02	Gear 2nd Driven	1	
12	JD 5512 03	Gear 5th Driven	1	
13	JD 5512 04	Gear 3rd Driven	1	
14	JD 5512 00	Gear 4th Driven	1	
15	JA 5510 07	Bush 1st Driven	1	Old
	JZ 5512 05	Bush 1st Driven	1	Ref. Circular IB-12
16	JA 5512 06	Gear 1st Driven	1	Old
	JZ 5512 04	Gear 1st Driven	1	Ref. Circular IB-12
17	JD 5512 09	Spline Washer	1	
18	JA 5510 08	Washer Thrust 1st Driven	1	
19	JA 5510 09	Collar Sprocket Drive	1	
20	59 2100 24	'O' Ring Collar Sprocket	1	
21	JV 5510 00	Sprocket Drive (15 T)	1	
22	DU 1012 13	Plate Lock Sprocket	1	
23	39 1981 04	Socket Head Bolt	2	

Change Drum / Shift Fork



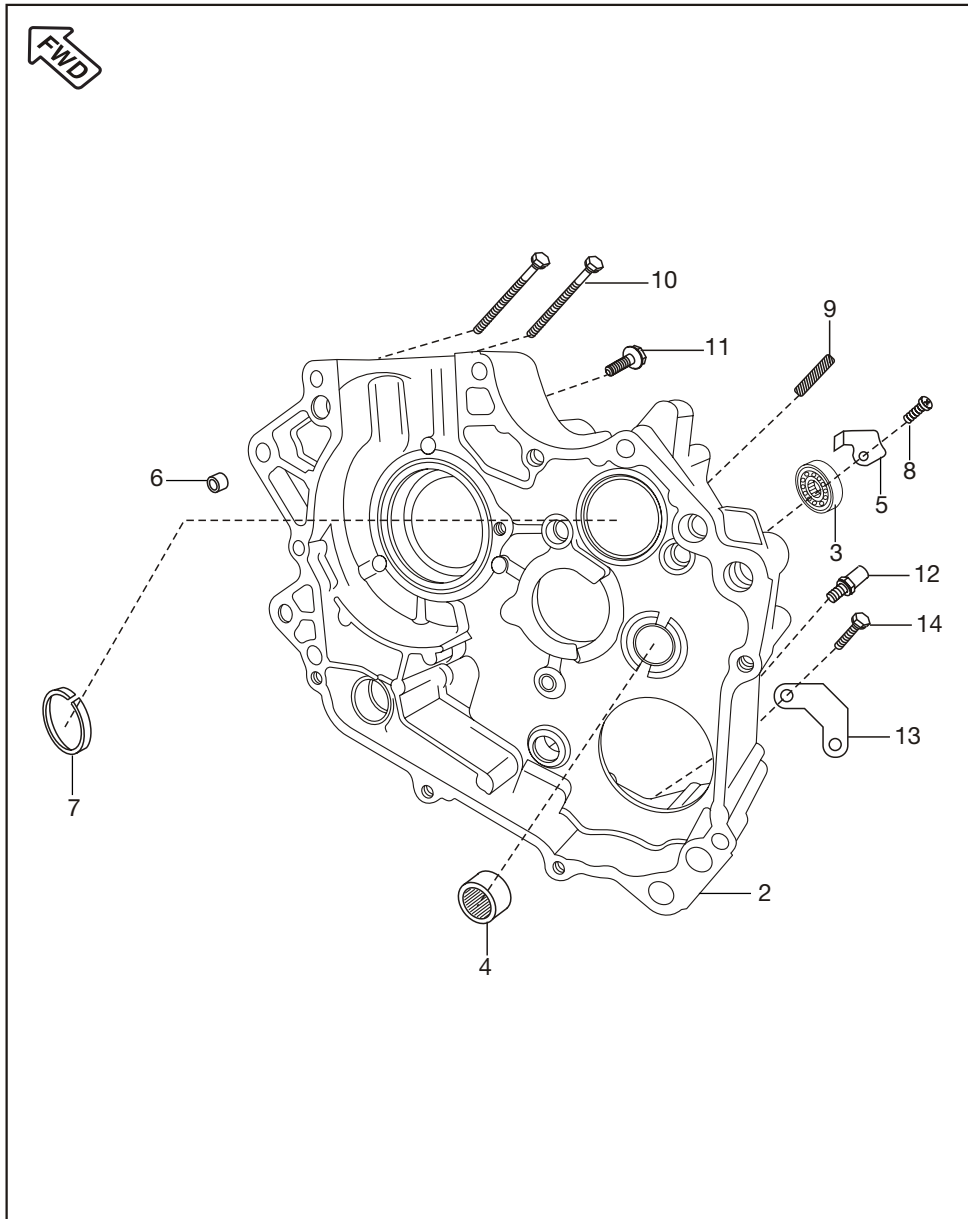
No.	Part No.	Description	ES Drum	Remarks
1	JZ 5610 00	Drum Complete Gear Shift	1	
2	39 0992 06	Dowel (Pin Drum Change)	4	
3	JD 5610 11	Special Bolt	1	
4	JD 5610 06	Shaft Gear Shift Fork	2	
5	JD 5610 04	Fork Gear Shift Output	2	
6	JD 5610 05	Fork Gear Shift Input	1	
7	JD 5610 02	Cam Drum Change	1	
8	DK 1011 35	Bush (Fork Shift)	3	

Gear Change Mechanism



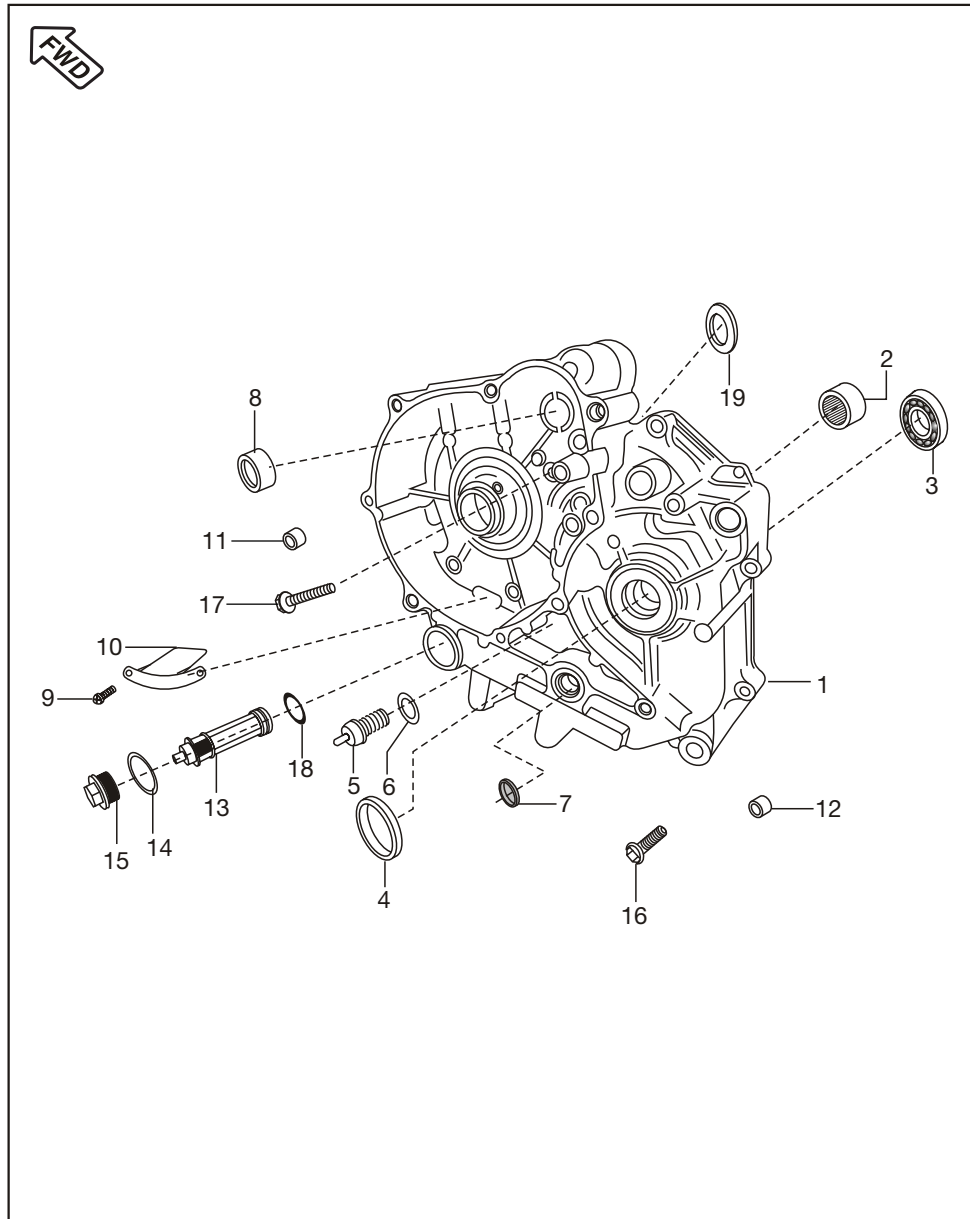
No.	Part No.	Description	ES Drum	Remarks
1	JW 5612 05	Lever comp. gear shift	1	
2	JW 5612 06	Extension spring	1	
3	JW 5612 08	Spring gear shift return	1	
4	JD 5612 03	Inhibitor com. gear shift	1	
5	JD 5612 04	Spring (Inhibitor)	1	
6	JA 5612 09	Step washer	1	
7	39 2704 11	Washer	1	
8	JA 5612 11	Flange bolt	1	M6/Hex nut
9	JB 5614 00	Lever comp. gear shifter	1	With rubber damper
10	DH 1015 09	Damper	1	
11	DG 1013 39	Damper	1	
12	39 0817 15	Nut hex with flange	1	M6

Engine Assembly / Crankcase RH



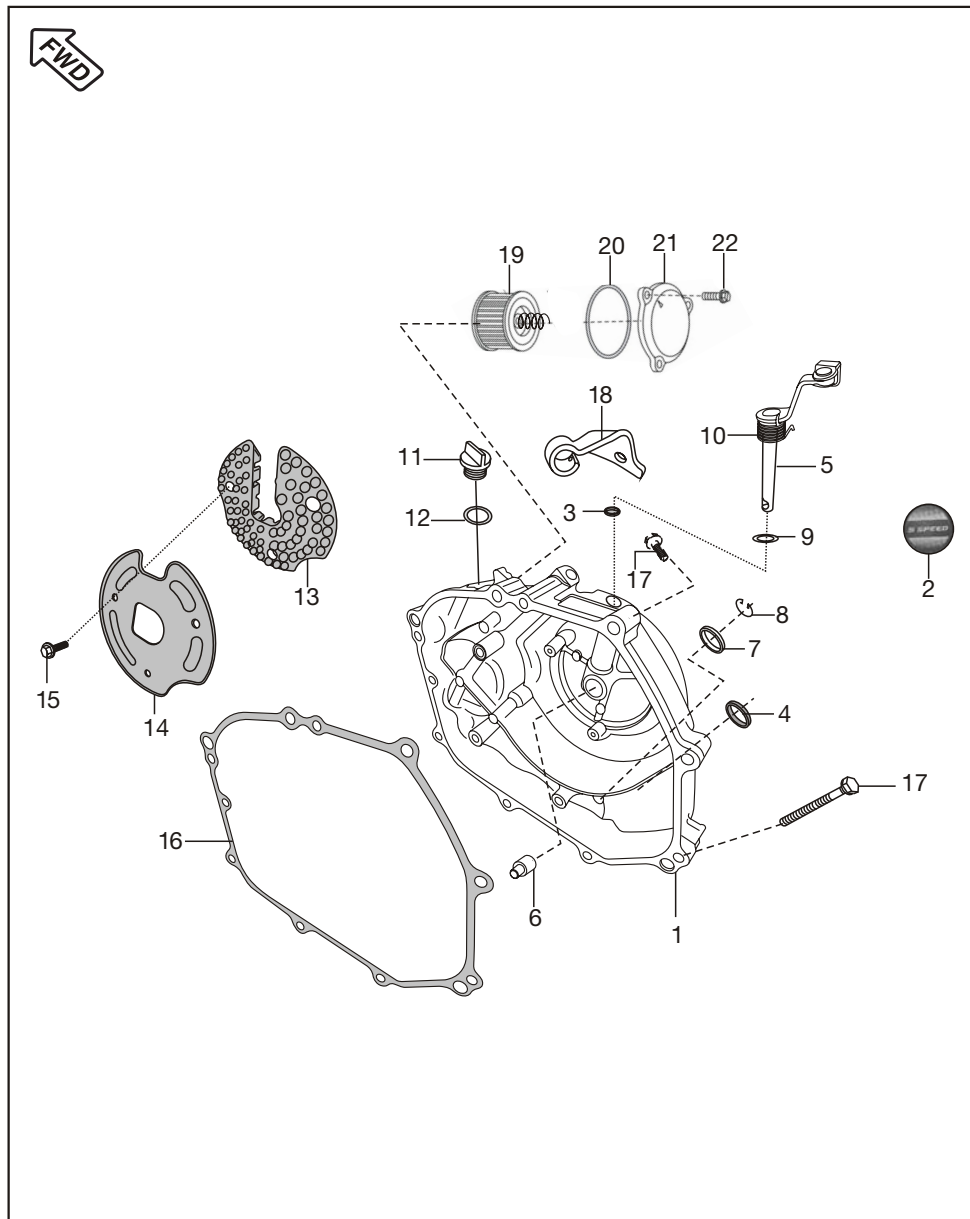
No.	Part No.	Description	ES Drum	Remarks
1	JK 5010 00	Engine assembly	1	N.I.
2	36 JK00 30	Crankcase RH	1	NRB + bush + stud
3	59 2000 36	Ball bearing	1	
4	JA 5410 11	Needle roller bearing	1	HK 1312
5	JA 5410 10	Stopper plate input bearing	1	
6	39 1000 06	Hollow dowel pin	2	
7	DU 1010 85	Bushing (PTFE)	1	
8	DH 1013 80	Screw pan cross M6	1	
9	JA 541015	Stud inhibitor mounting	1	Alt.52JA0027
10	JA 5412 35	Flange bolt M6x1x85L	2	Crankcase mounting near block face
11	59 0400 38	Flange bolt	1	
12	JA 5410 14	Bolt shift change	1	
13	JA 5410 12	Guide kick	1	
14	39 1964 04	Bolt flanged small	2	

Crankcase LH



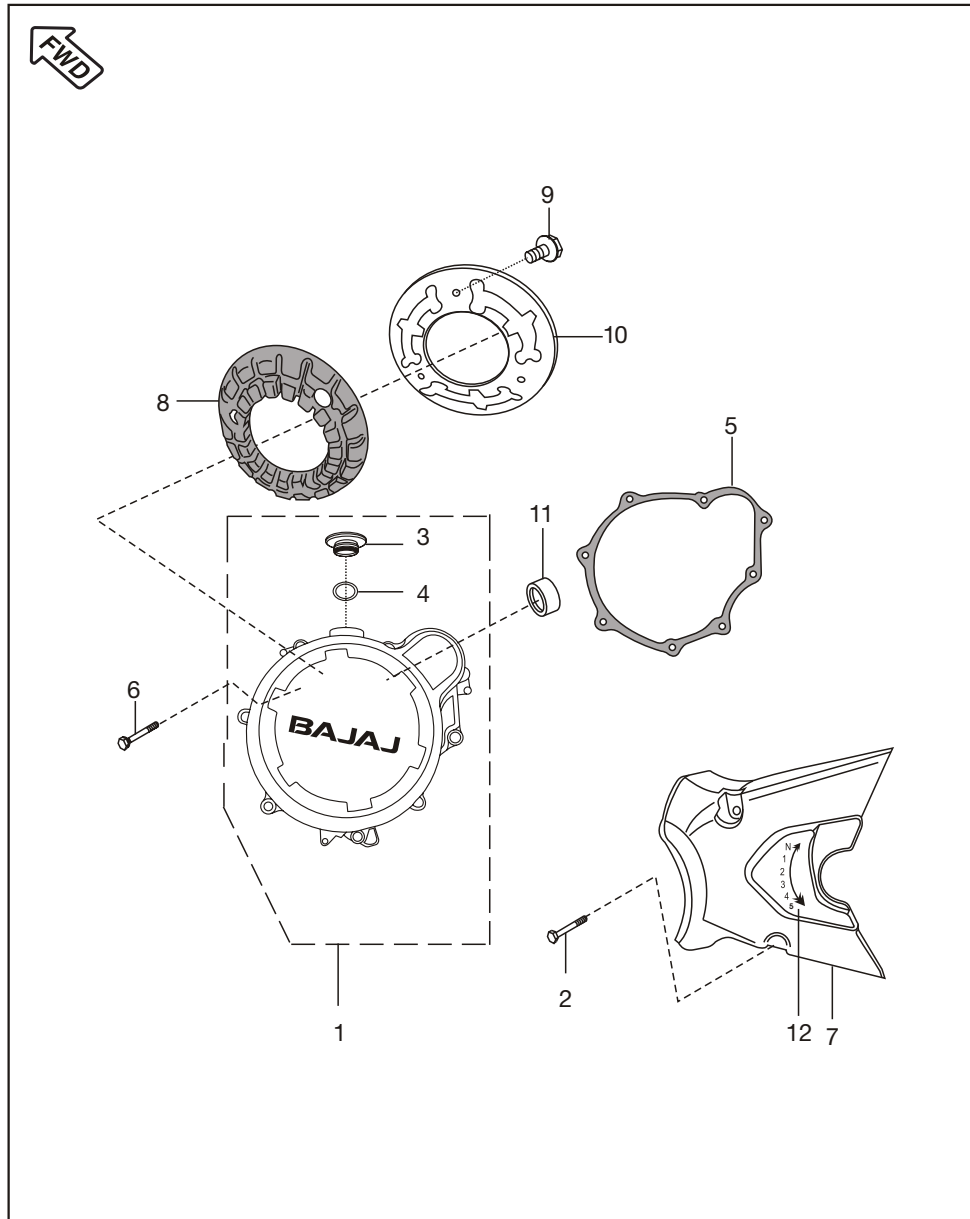
No.	Part No.	Description	ES Drum	Remarks
1	36 JK00 29	Crankcase LH	--	NRB + Bush + Orifice
1A	36 JK00 34	Crankcase LH	1	NRB + Orifice
2	39 2562 20	Needle roller bearing	1	Input Shaft
3	59 2000 36	Ball bearing	1	Output Shaft
4	39 1715 19	Oil seal 22x3.5x7	1	Output shaft
5	31 2010 81	Switch neutral	1	
6	DH 1012 64	Gasket neutral switch	1	Alt. Dh101784
7	39 2190 19	Oil seal	1	Shifter shaft
8	JA 5410 05	Bush bendix	1	Starter clutch
9	39 0746 01	Pan cross screw	2	
10	JA 5410 34	Stopper gear starter clutch	1	
11	39 1000 06	Hollow dowel pin	2	Crankcase block mtg clutch cover + magneto cover
12	39 0999 06	Dowel pin oil pump	2	
13	JA 5410 19	Mesh filter oil pump	1	
14	59 2100 23	"O" ring cap strainer	1	
15	JA 5410 21	Cap strainer	1	
16	59 0400 38	Flange bolt	6	
17	39 1759 04	Bolt (M6x1x55L)	1	Near starter motor
18	JA 5410 20	"O" ring mesh filter oil pump	1	
19	JA 5410 27	Damper crank Shaft	1	

Cover Clutch



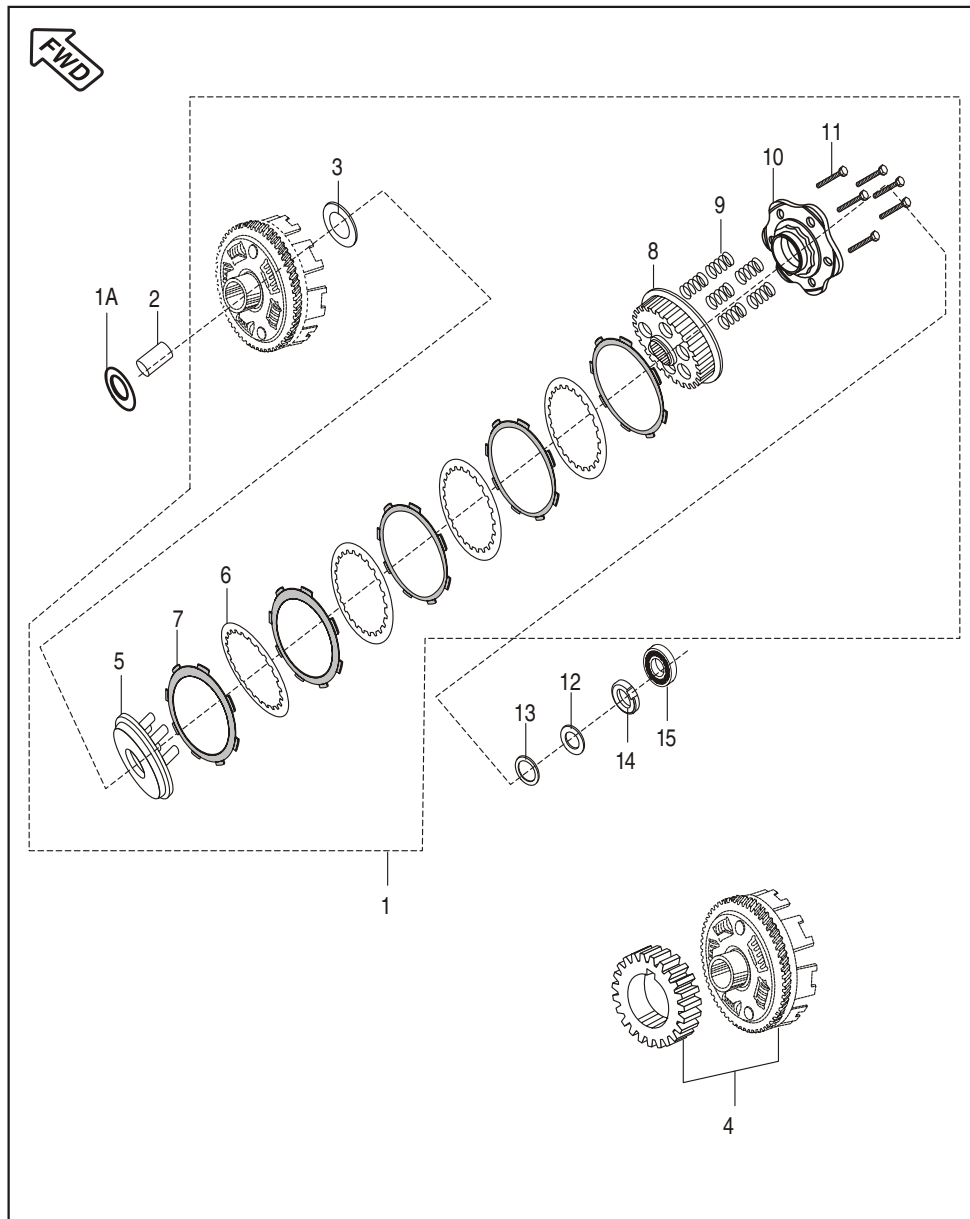
No.	Part No.	Description	ES Drum	Remarks
1	36 JK00 35	Clutch cover	1	
2	JK 5412 01	Decal clutch cover	1	
3	39 1041 19	Oil seal clutch cover	1	
4	30 1011 42	Oil seal kick shaft	1	
5	JW 5410 05	Shaft clutch release assly	1	
6	DP 1012 69	Rod push	1	
7	DG 1014 18	Gauge	1	oil level check
8	DS 1012 15	Wire circlip	1	
9	JA 5412 36	Plain washer (12.5x24x0.8)	1	
10	JA 5412 37	Spring torsion clutch cover	1	
11	JA 5412 11	Cap oil filler	1	
12	JA 5412 25	"O" ring cap oil filler	1	
13	JA 5412 15	Damper clutch cover	1	
14	JA 5412 16	Plate damper	1	
15	DH 1013 88	Bolt flange M5x10	3	
16	JA 5412 12	Gasket clutch cover	1	
17	59 0400 38	Flange bolt	8	Clutch cover to Crankcase mounting
18	JW 5410 00	Bracket clutch cable	1	
19	DD 1211 81	Oil filter Element	1	
20	39 1671 21	"O" ring	1	
21	JA 5412 19	Cap filter	1	
22	JA 5210 19	Bolt flange	3	
23	JK 5412 02	Sleeve bearing plastic	1	

Cover Magneto



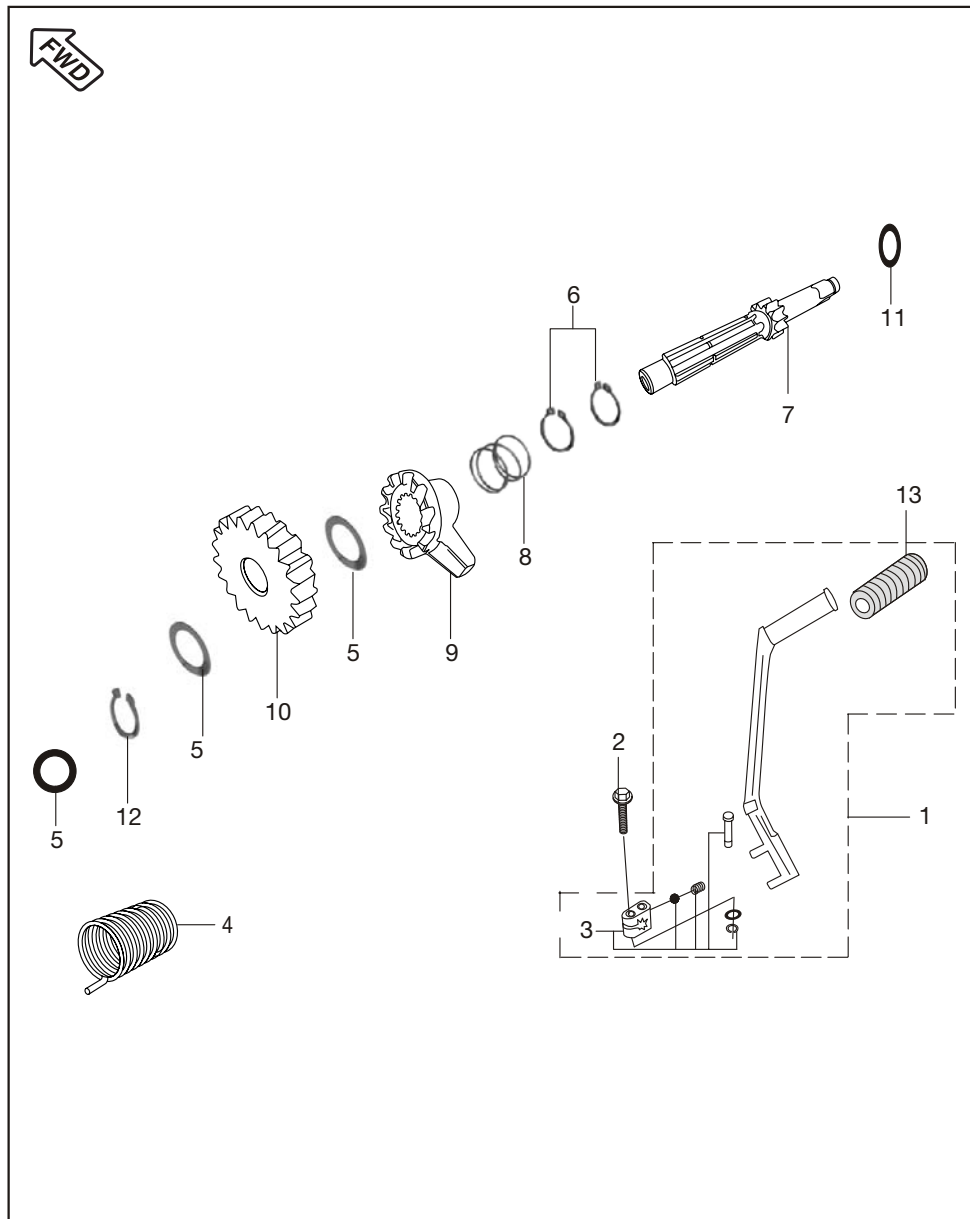
No.	Part No.	Description	ES Drum	Remarks
1	JA 5412 41	Cover magneto	1	Threaded cap design
2	59 0400 38	Flange bolt	2	
3	JA 5412 33	Cap TDC finder	1	Threaded cap
4	30 1011 95	'O' Ring 15.8x2.4	1	
5	JA 5412 05	Gasket magneto cover	1	
6	JA 5410 44	Flange bolt M6x1x40L	8	
7	JB 5412 03	Cover LH rear	1	Without Sticker
8	JA 5412 20	Damper magneto cover	1	
9	DH 1013 88	Flanged bolt M5x10	3	
10	JA 5412 21	Plate damper magneto cover	1	
11	JA 5410 05	Bush Bendix	1	
12	JW 2330 00	Gear shifter label	1	

Clutch Assly



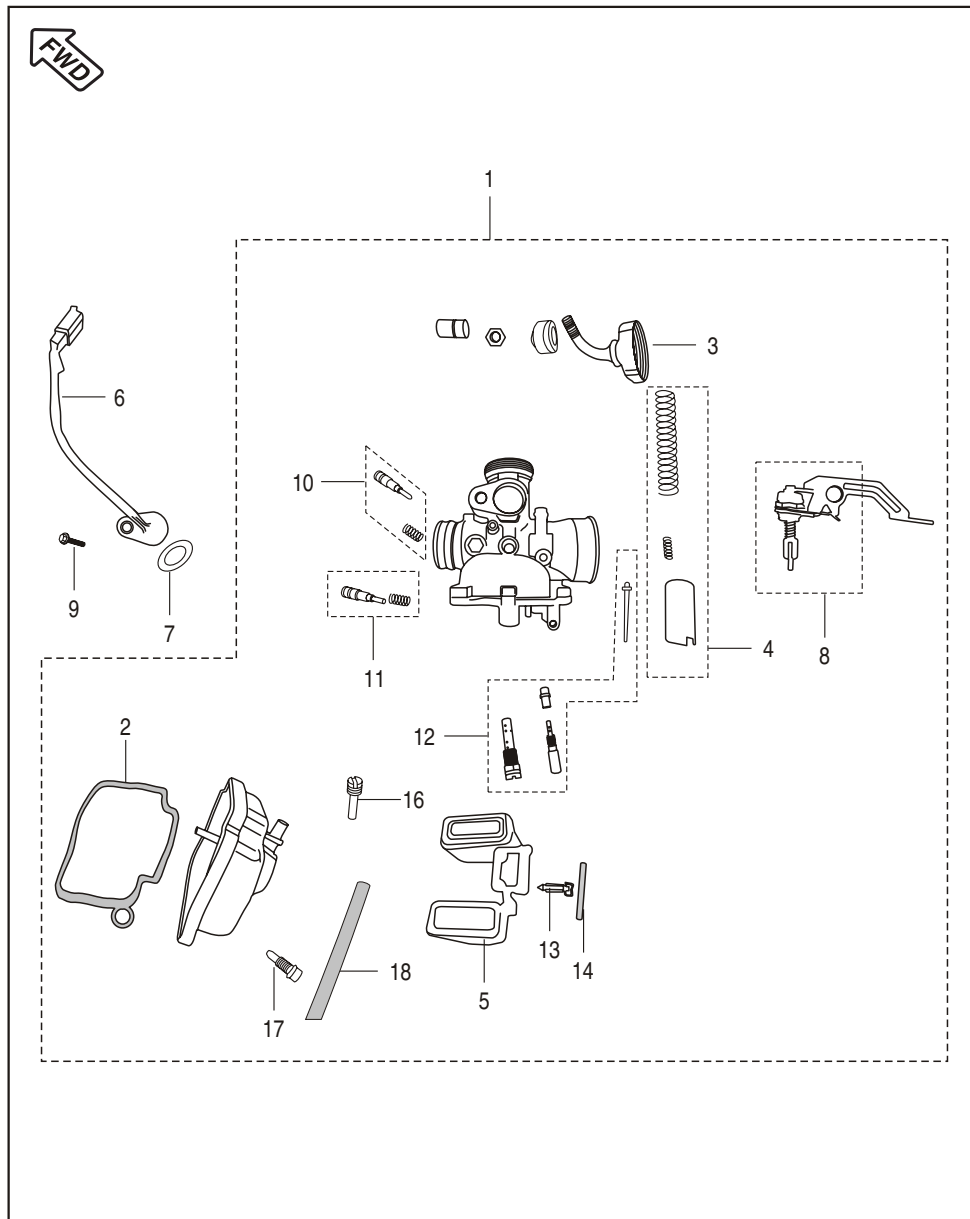
No.	Part No.	Description	ES Drum	Remarks
1	JK 5514 00	Clutch Assly Complete	1	
1A	JD 5514 00	Spacer Clutch Assly	1	'JD' Mark for I.D.
2	JA 5514 06	Collar Clutch	1	
3	39 2600 11	Washer	1	
4	36 PA00 06	Set Primary Drive & Driven	1	Refer Page No. 99
5	JB 5514 08	Wheel Clutch	1	
6	30 1010 96	Plate Clutch	4	
7	DD 1014 80	Plate Friction	5	(45 Segments)
8	JB 5514 11	Hub Clutch	1	
9	JK 5514 02	Compression Spring	6	
10	JB 5514 12	Holder Clutch	1	
11	39 0980 04	Bolt Flange	6	
12	JA 5514 16	Belleville Washer	1	
13	JA 5514 20	Plain Washer	1	
14	52 JA00 28	Nut Special	1	L.H. Threads
15	39 1001 20	Bearing Clutch Lifter	1	

Kick Starter Mechanism



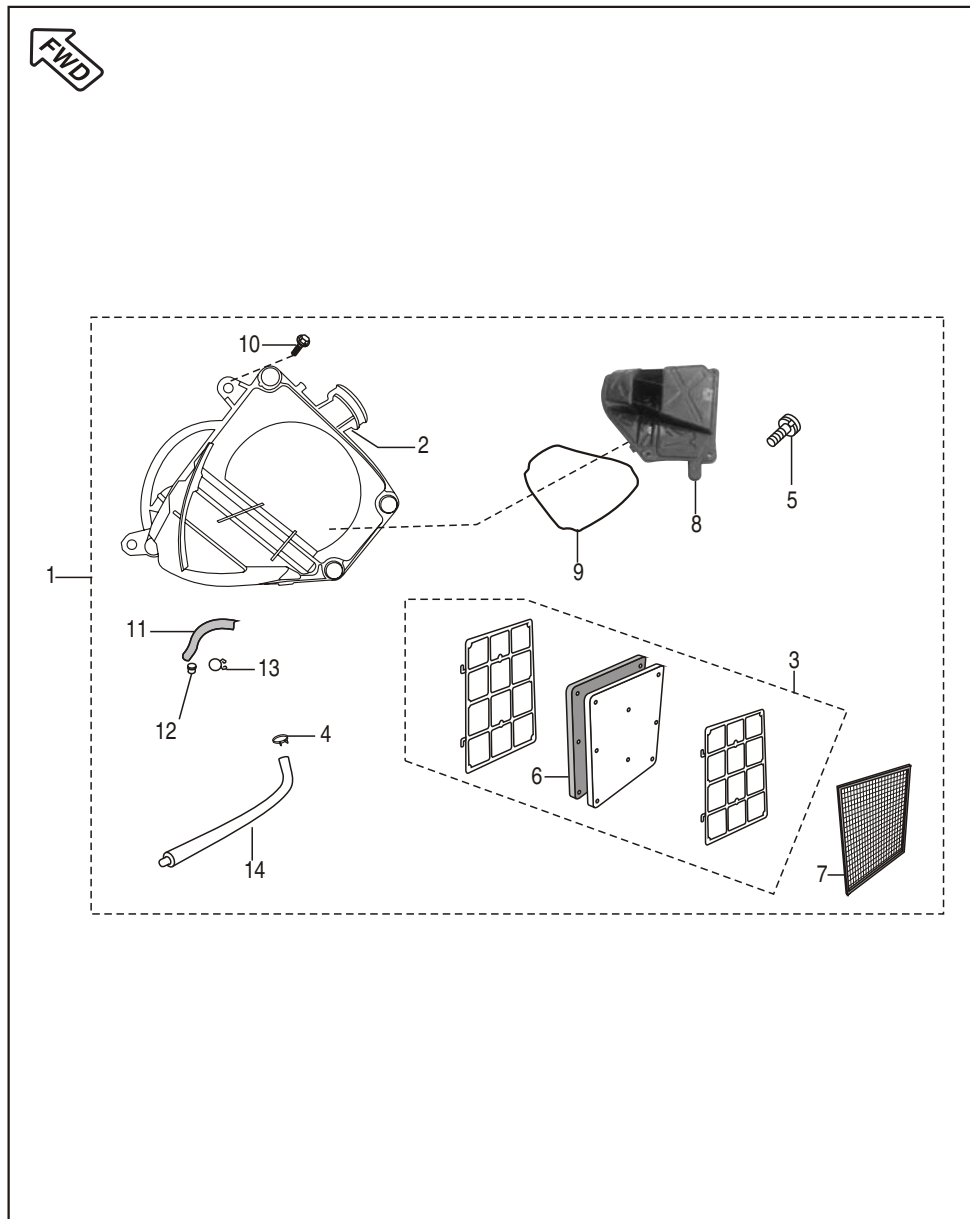
No.	Part No.	Description	ES Drum	Remarks
1	JA 6212 01	Lever assly. kick	1	
2	DP 1510 18	Bolt	1	
3	36 DU10 07	Boss kick set	1	Ref. page no. 99
4	DH 1011 25	Spring kick start return	1	
5	39 0993 11	Plain washer	3	
6	39 0738 17	External circlip type C	2	
7	JD 6210 01	Shaft kick	1	
8	DS 1011 17	Spring kick starter ratchet	1	
9	JA 6210 02	Ratchet	1	
10	JA 6210 03	Gear spur kick starter	1	
11	JA 6210 06	Washer thrust (16.2x25x0.5)	1	
12	39 2408 17	External circlip	1	
13	DD 1010 97	Damper	1	

Carburettor



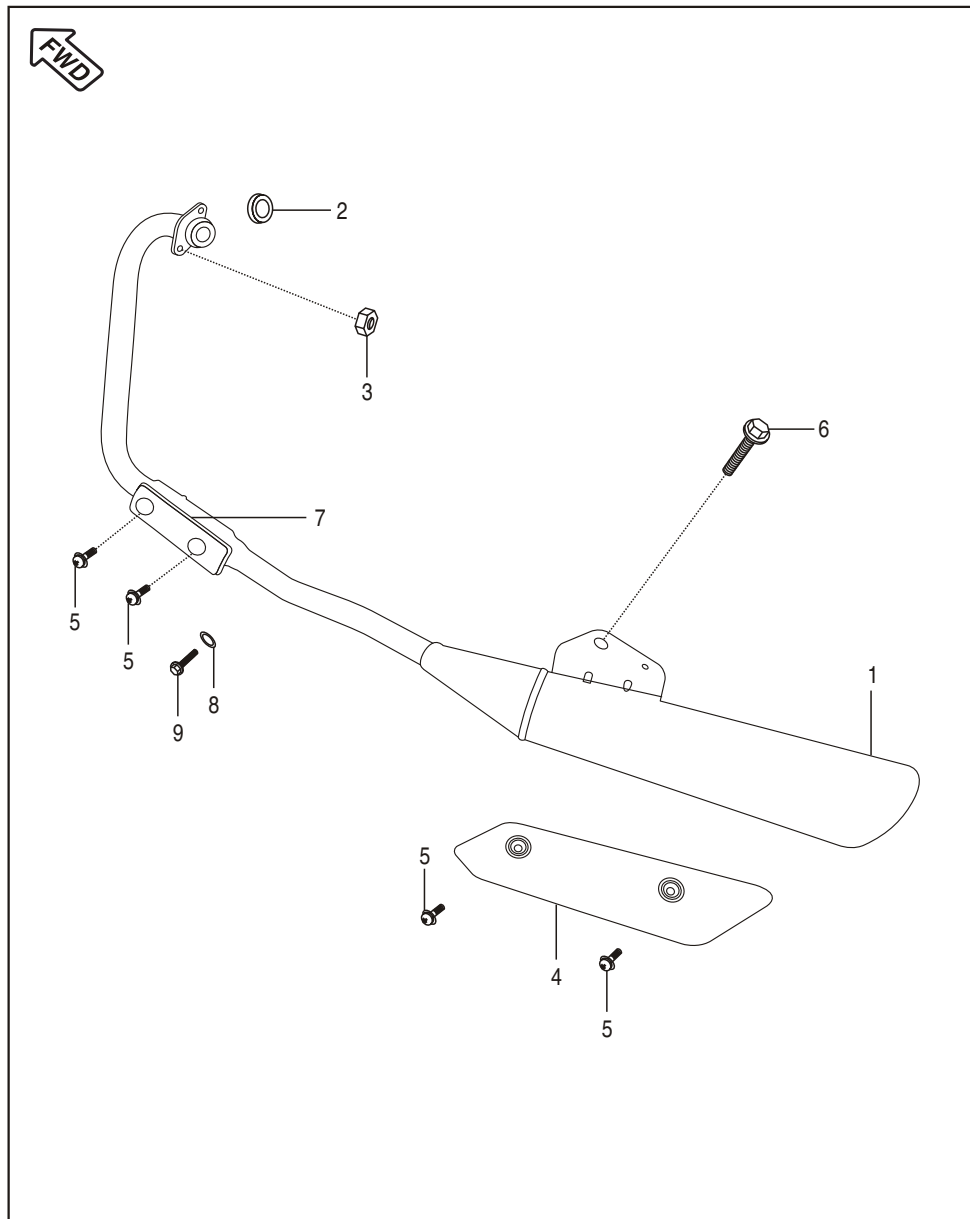
No.	Part No.	Description	ES Drum	Remarks
1	JK 5812 01	Carburettor assly.	1	
2	JA 5812 32	Gasket float chamber	1	
3	CB 1210 61	Cable adjuster	1	
4	36 JK00 22	Piston valve kit	1	Ref. page no. 100
5	24 1213 65	Float assly	1	
6	JB 5812 02	Throttle position sensor	1	
7	JA 5812 38	"O" ring (TPS)	1	
8	36 JK00 27	Choke Plunger Kit	1	Ref. page no. 101
9	JA 5812 33	Screw TPS	1	
10	36 JK00 19	Air screw kit	1	Ref. page no. 99
11	36 JK00 20	Idling screw kit	1	Ref. page no. 100
12	36 JK00 21	Jet kit	1	Ref. page no. 100
13	JA 5812 21	Needle valve assly	1	
14	24 1210 69	Pin float	1	N.I.
15	36 JK00 26	Carburetor Gasket 'O' ring kit	1	Ref. page no. 101
16	JA 5813 14	Drain Screw	1	
17	CB 1210 46	Screw Float Body	1	
18	JK 5812 09	Drain Pipe	1	

Air Cleaner Complete



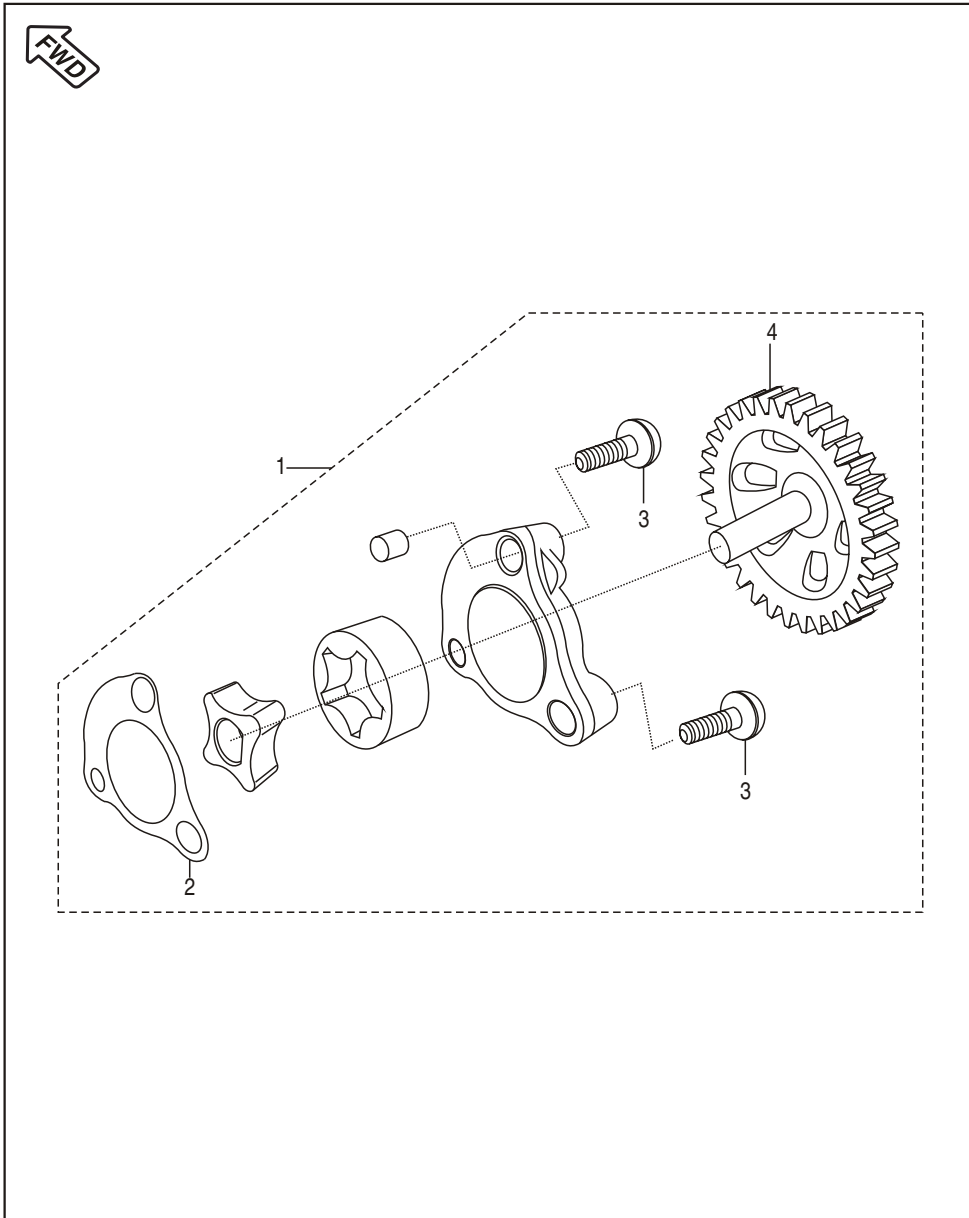
No.	Part No.	Description	ES Drum	Remarks
1	JK 5810 00	Air filter assly	1	
2	JK 5812 00	Air Filter duct	1	
3	JB 5810 13	Cartridge assly.	1	
4	JA 5110 29	Clamp breather tube	1	
5	39 2044 01	Screw Air Filter Cover	4	
6	JB 5810 05	Element air filter	1	
7	DP 1210 30	Flame arrestor	1	
8	JB 5810 11	Cap Air Filter	1	
9	JB 5810 12	"O" ring	1	
10	39 1773 04	Flange bolt	4	
11	JB 5810 18	Tube Oil Drain	1	
12	DS 1211 26	Plug (Drain tube)	1	
13	DP 1210 25	Clamp	1	
14	JA 5110 11	Hose breather	1	

Silencer Assembly



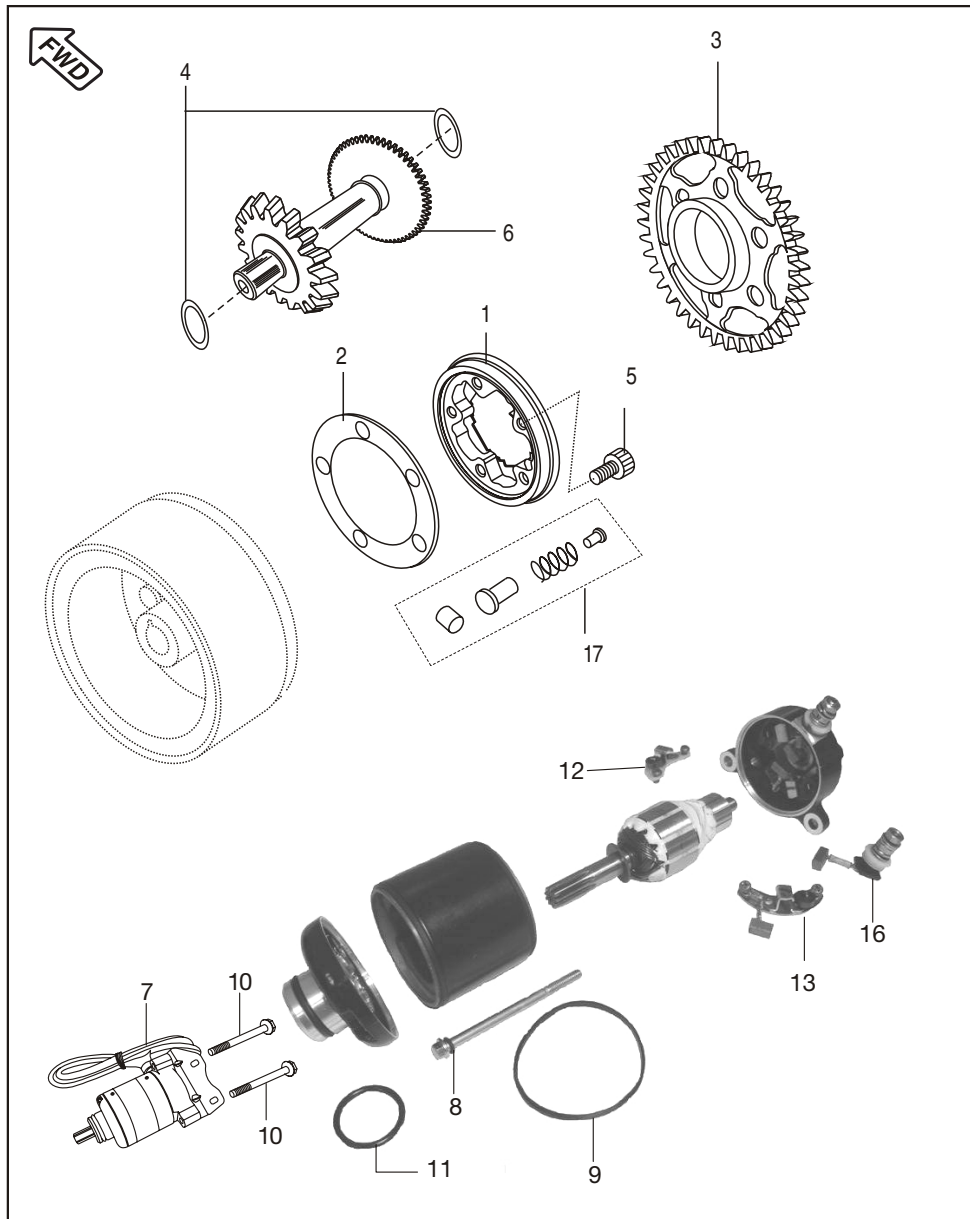
No.	Part No.	Description	ES Drum	Remarks
1	36 JK00 28	Silencer assly. W/o shield	1	
2	CB 1011 14	Gasket exhaust mtg.	1	
3	JA 5910 40	Flange nut	2	
4	JB 5910 26	Shield muffler	1	
5	DH 1016 07	Trues screw	4	
6	JB 1130 04	Hex head bolt flange	1	
7	JA 5910 37	Shield CAT	1	
8	39 2492 11	Plain washer	1	
9	39 2754 04	Bolt	1	

Oil Pump



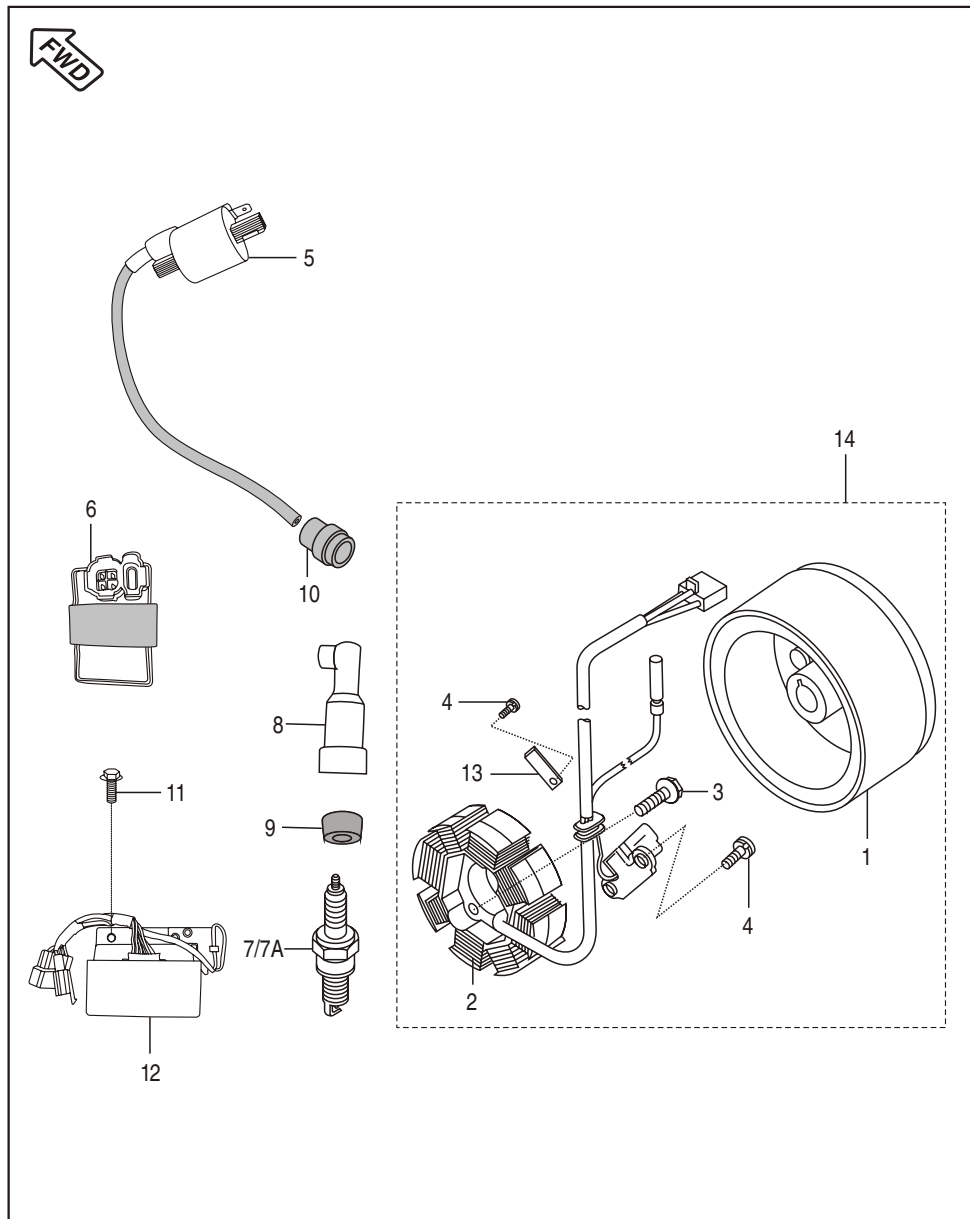
No.	Part No.	Description	ES Drum	Remarks
1	52 JA00 23	Oil pump assly.	1	
2	JA 5410 16	Gasket case oil pump	1	
3	FD 1010 78	Screw pan cross M6	3	
4	JA 5410 18	Gear driven + shaft oil pump	1	

Starter & Motor Assembly



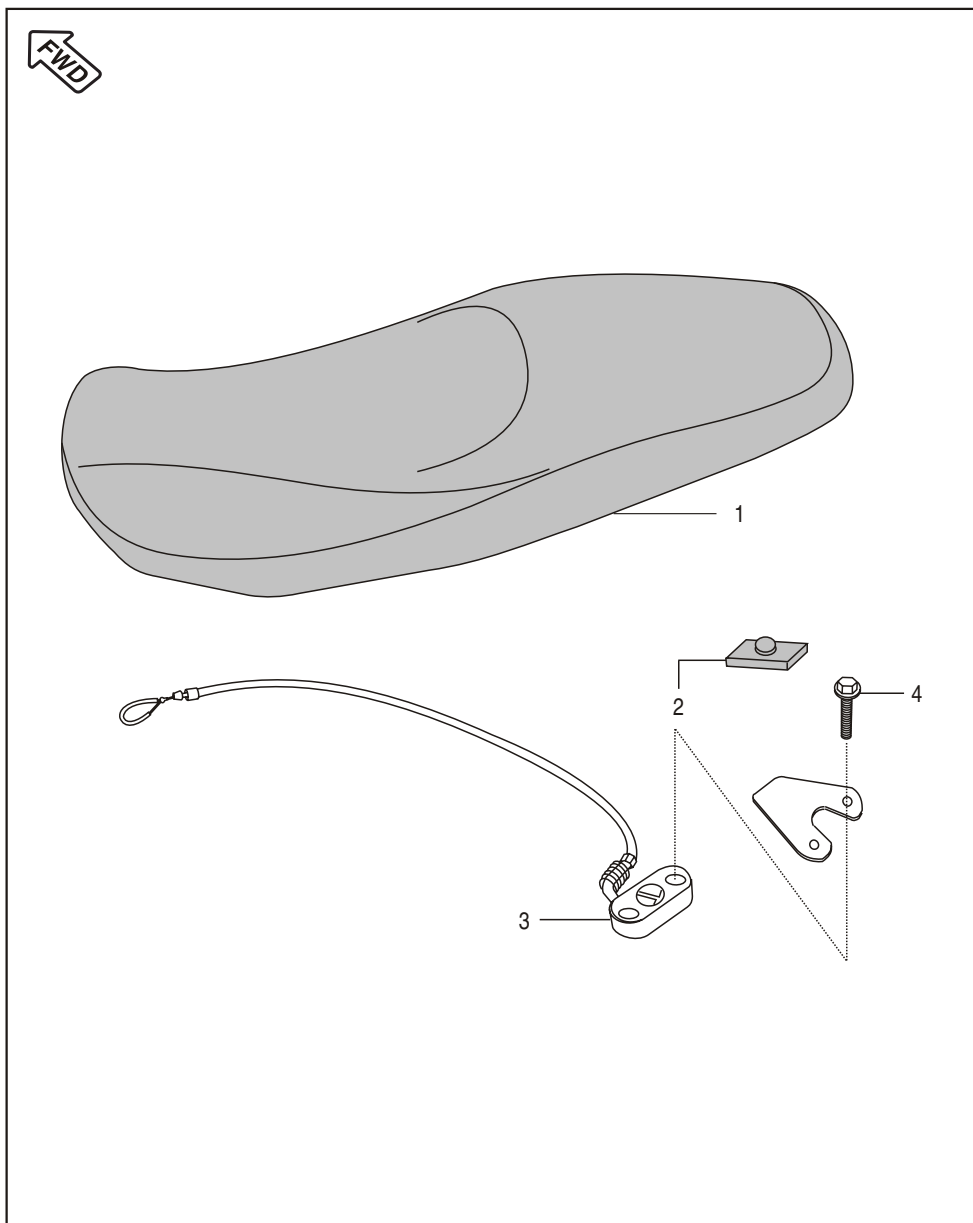
No.	Part No.	Description	ES Drum	Remarks
1	JA 6214 14	Body comp. starter clutch	1	
2	DH 1017 81	Plate roller clutch	1	
3	JA 6214 10	Gear starter clutch	1	
4	JA 6214 02	Washer	2	
5	39 2437 04	Bolt socket	3	
6	JA 6214 06	Starter drive assly.	1	
7	JA 3516 00	Motor Assly	1	
8	JA 3516 04	'O' Ring For Tie Bolt (Flash)	1	Not Serviceable
9	JA 3516 06	Sealing Ring (Flash)	1	
	JA 3516 26	Sealing Ring (Lucas-TVS)	1	
10	DH 1011 63	Flange Bolt (Flash)	2	
11	JA 3516 02	'O' Ring For Spigot (Flash)	1	
	JA 3516 27	'O' Ring For Spigot (Lucas-TVS)		
12	JA 3516 08	+ve Brush Holder Assly (Flash)	1	
13	JA 3516 09	-ve Brush Holder Assly (Flash)	1	
14	JA 3516 18	Brush & Earth Plate Assly	1	N.I. (Lucas-TVS)
15	JA 3516 24	Brush Spring (Lucas-TVS)	1	N.I.
16	JA 3516 19	Terminal Assly (Lucas-TVS)	1	
17	36 JW0014	Starter Clutch Repair Kit	1	

Magneto, CDI & H.T. Coil



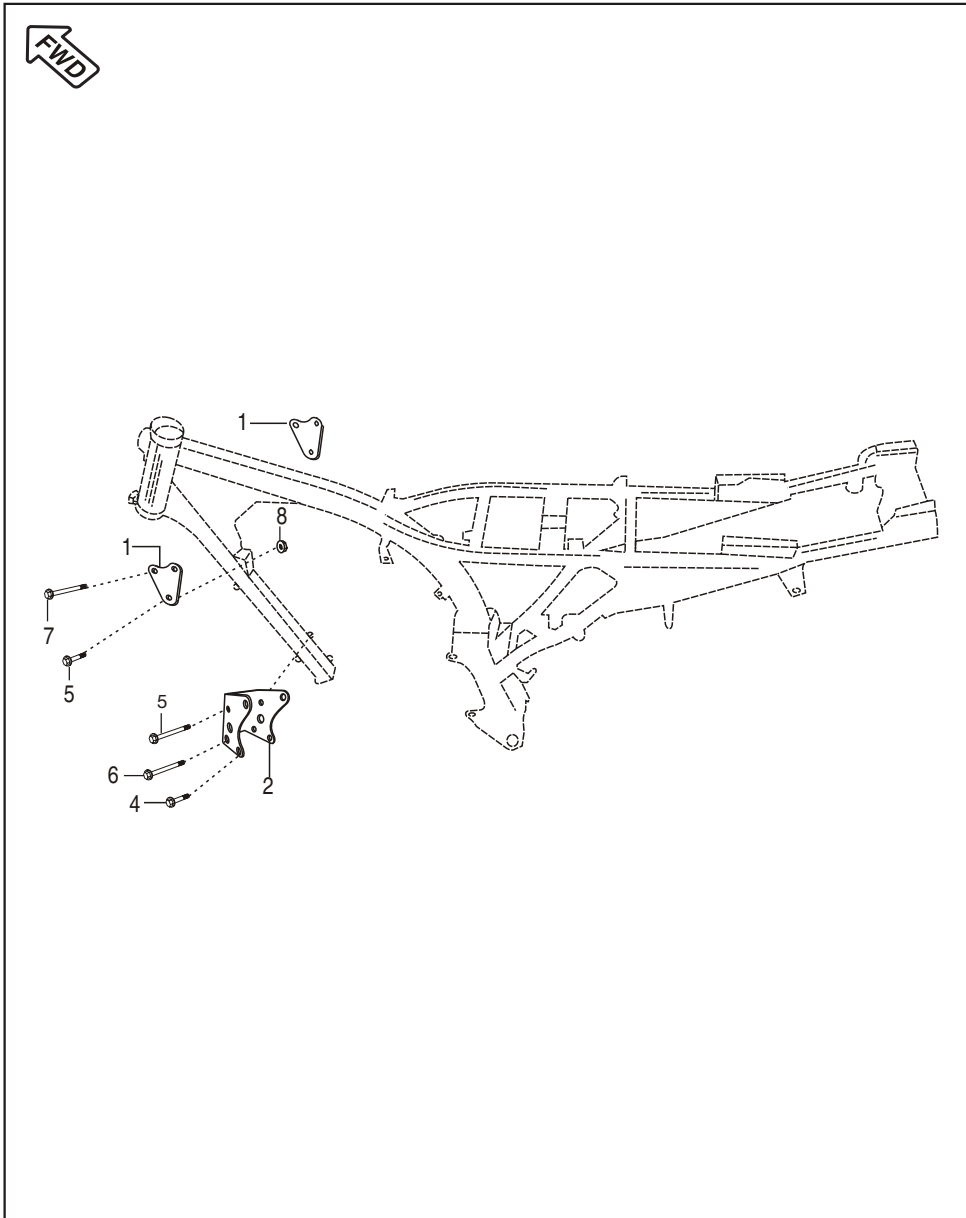
No.	Part No.	Description	ES Drum	Remarks
1	JK 3510 08	Rotor assly.	1	
2	JK 3510 05	Stater assly. complete	1	
3	39 1675 04	Bolt flange	2	
4	DH 1013 80	Pan head screw M6	3	
5	JK 3512 02	H.T. Coil LH	1	
6	JK 3512 10	C.D.I. assly.	1	
7	DG 1110 08	Spark plug	1	Champion RG4HC
7A	JA 3512 09	Spark plug	1	Bosch UR4DCO
8	DD 1110 48	Spark plug cap	1	
9	DD 1110 11	Grommet spark plug cap	1	
10	DD 1110 12	Grommet for HT cable	2	
11	39 1553 04	Bolt flange M6 x 25	2	
12	JK 4020 03	Regulator AC+DC	1	
13	JA 5410 28	Lock plate	1	

Seat Assembly / Seat Lock



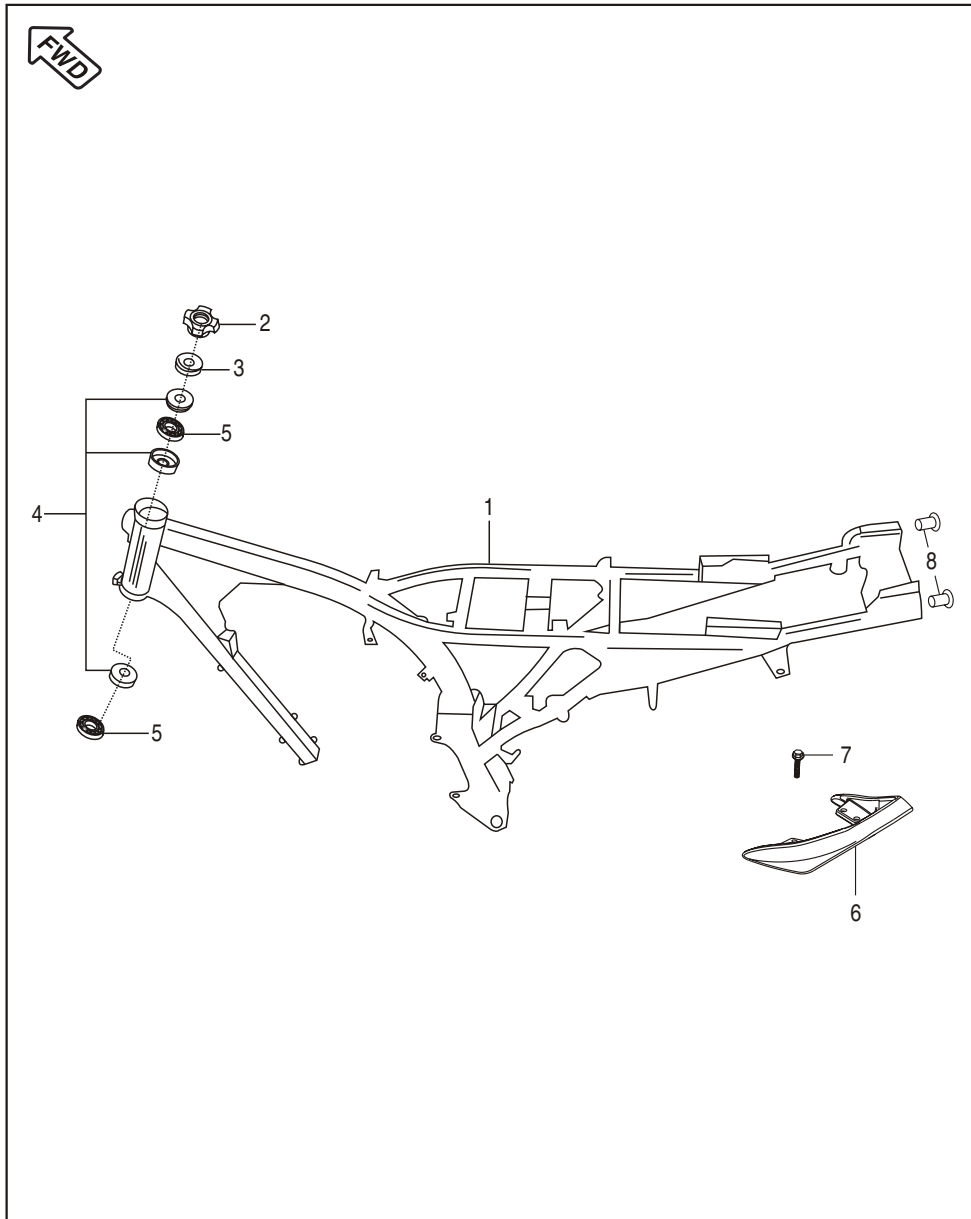
No.	Part No.	Description	ES Drum	Remarks
1	JK 1910 03	Seat assly. complete	1	
2	DP 2110 09	Seat damper set	9	
3	DP 1611 02	Lock assly. seat	1	
4	39 0743 01	Screw CSK cross (M6)	2	

Engine Mountings



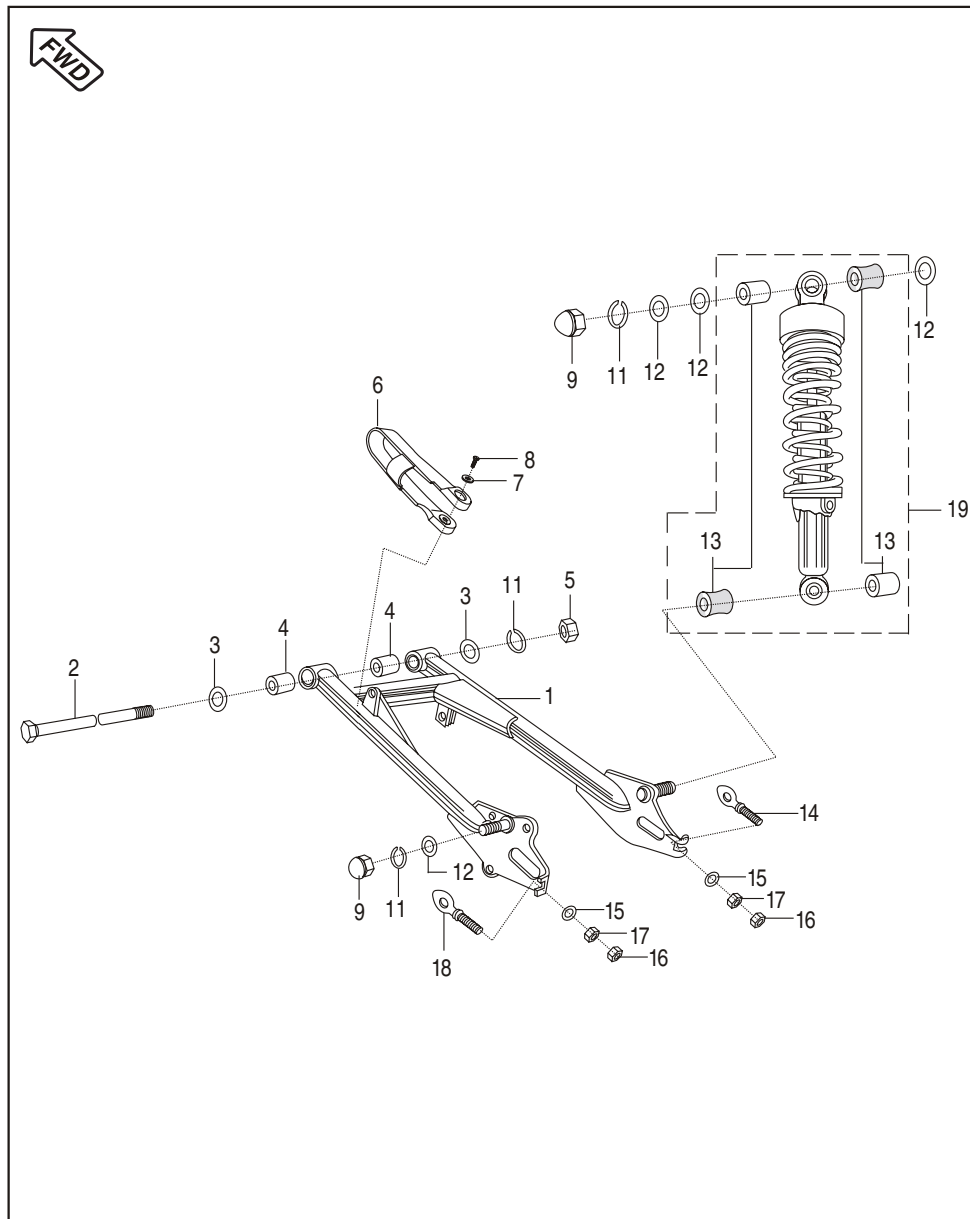
No.	Part No.	Description	ES Drum	Remarks
1	JK 1134 03	Bracket engine hanger LH	2	
2	JK 1134 00	Engine mounting bracket front	1	
3	39 2723 15	Hex nut flanged	2	
4	JA 1134 03	Bolt flanged M10 x 110	2	for engine mtg.
5	JA 1134 04	Bolt flanged M8 x 75	3	for engine mtg.
6	39 2312 04	Bolt flanged M8	3	
7	59 0400 17	Hex bolt flanged M8	1	
8	39 1970 15	Nut flanged	7	

Frame and Frame Fittings



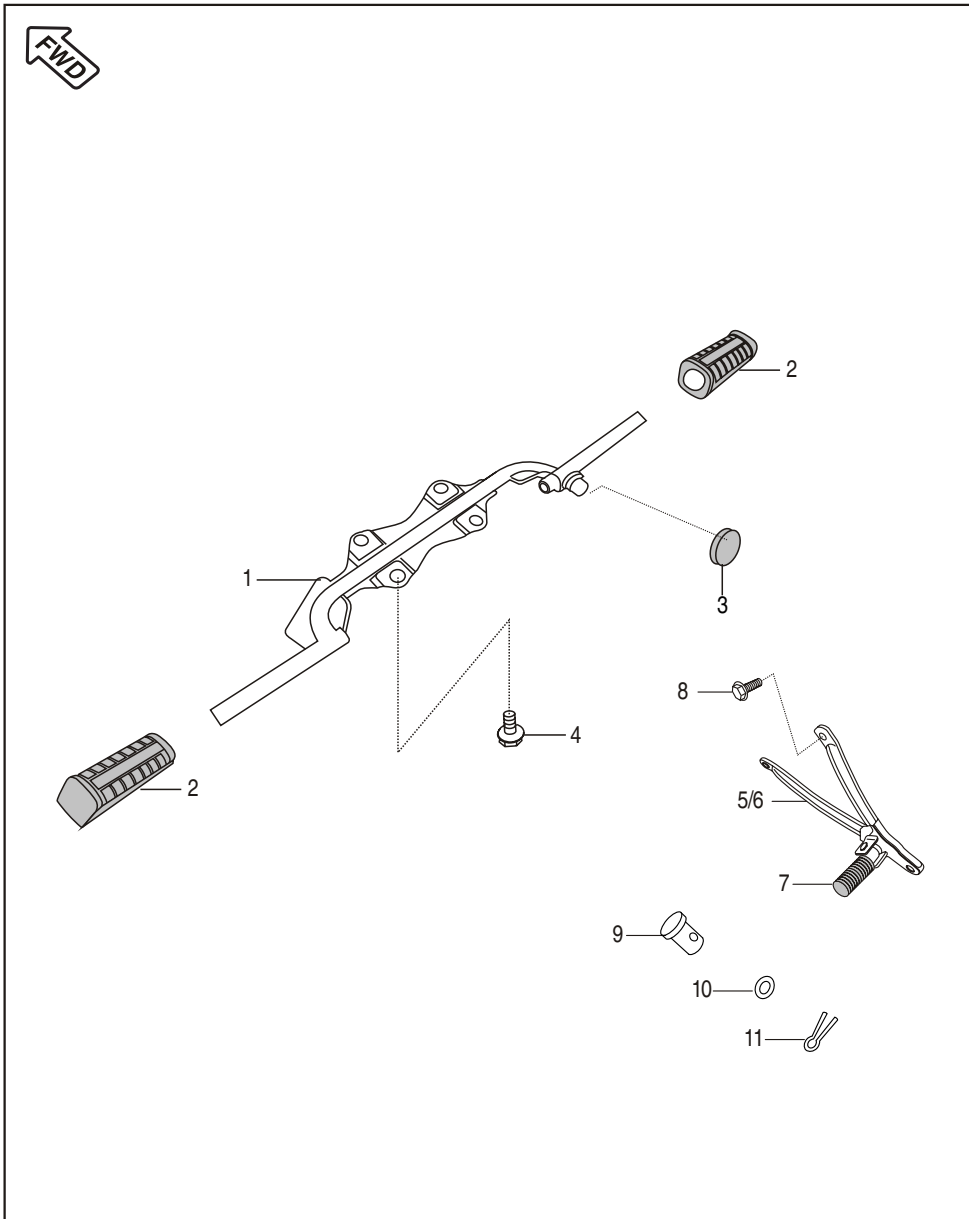
No.	Part No.	Description	ES Drum	Remarks
1	JK 1110 55	Frame assly. comp.	1	
2	DF 1810 90	Nut fork	1	
3	DF 1810 52	Steering cap	1	
4	36 3140 01	Bearing cone kit	1	Ref. page no. 61
5	DJ 1811 15	Cage bearing steering	2	
6	JK 2314 00	Grip frame	1	
7	39 2205 04	Flanged bolt M8	2	
8	DZ 1611 41	Cap for Pipe	2	

Swing Arm / Rear Shock Absorber



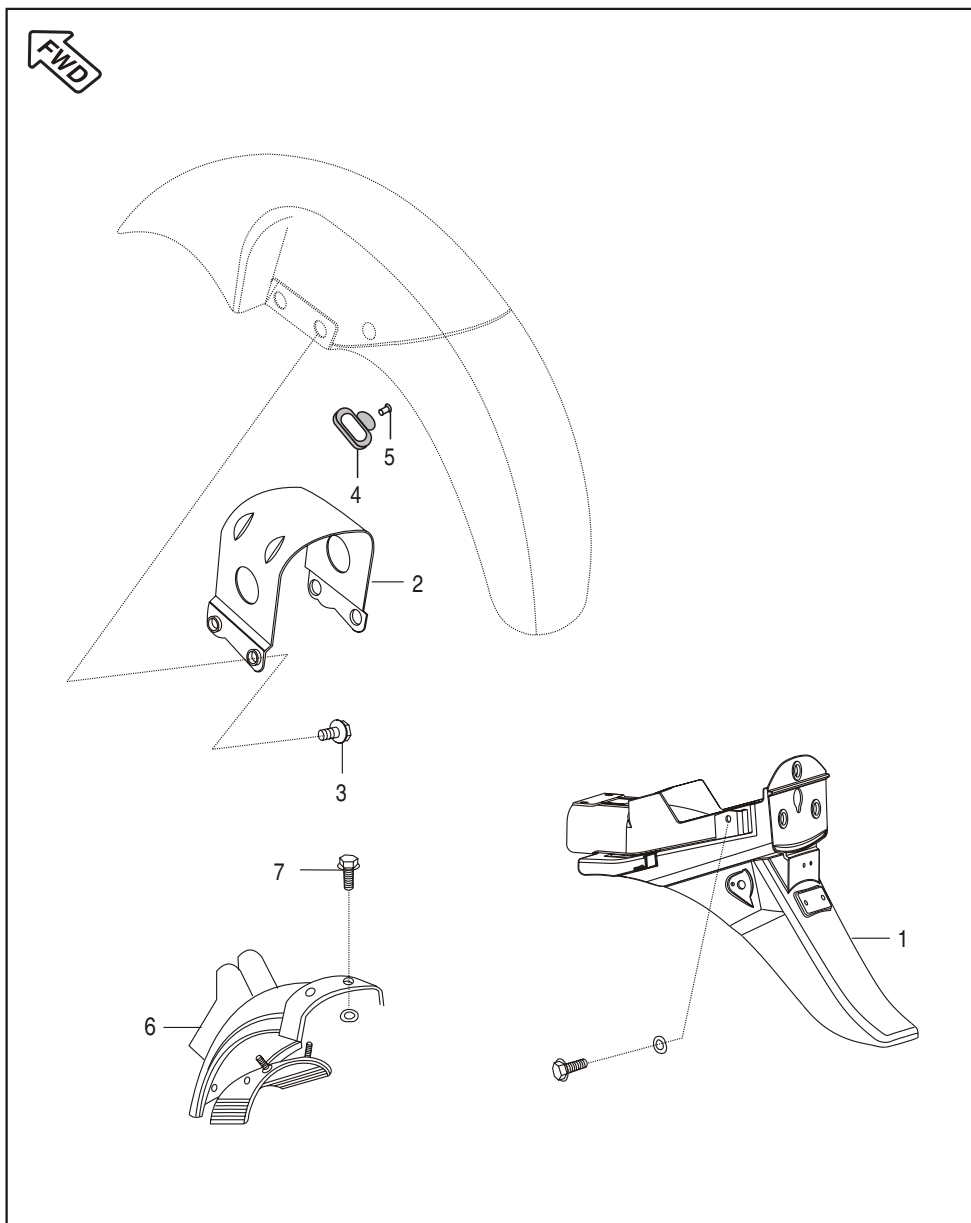
No.	Part No.	Description	ES Drum	Remarks
1	DZ 1710 14	Arm Comp. Swing / Bush	1	
2	JK 1220 06	Shaft Swing Arm	1	
3	JB 1310 18	Plain Washer	4	
4	DP 1710 06	Bushing Rubber	2	
5	JK 1220 08	Nut Hex./ flange M12	1	
6	DZ 1710 09	Damper for Swing arm	1	
7	39 0454 11	Plain washer	2	
8	39 0553 02	Self tapping Screw	2	
9	JK 1220 07	Domed Cap Nut M12	1	
10	JK 1220 10	Hex nut M12x1	1	
11	JK 1220 09	Washer Spring	4	
12	JB 1220 11	Washer Plain	8	
13	36 DF17 01	Rubber Inner Bush kit	1	Refer page no. 62
14	JK 1220 05	Adjuster Chain (RH)	1	
15	39 1309 11	Washer Plain	2	
16	39 2122 15	Hex Nut M6x1	2	
17	39 1903 15	Hex nut M6x1	2	
18	JK 1220 03	Adjuster Chain (LH)	1	
19	DZ 1710 16	Rear Shock Absorber	2	

Rider & Pillion Foot Rest



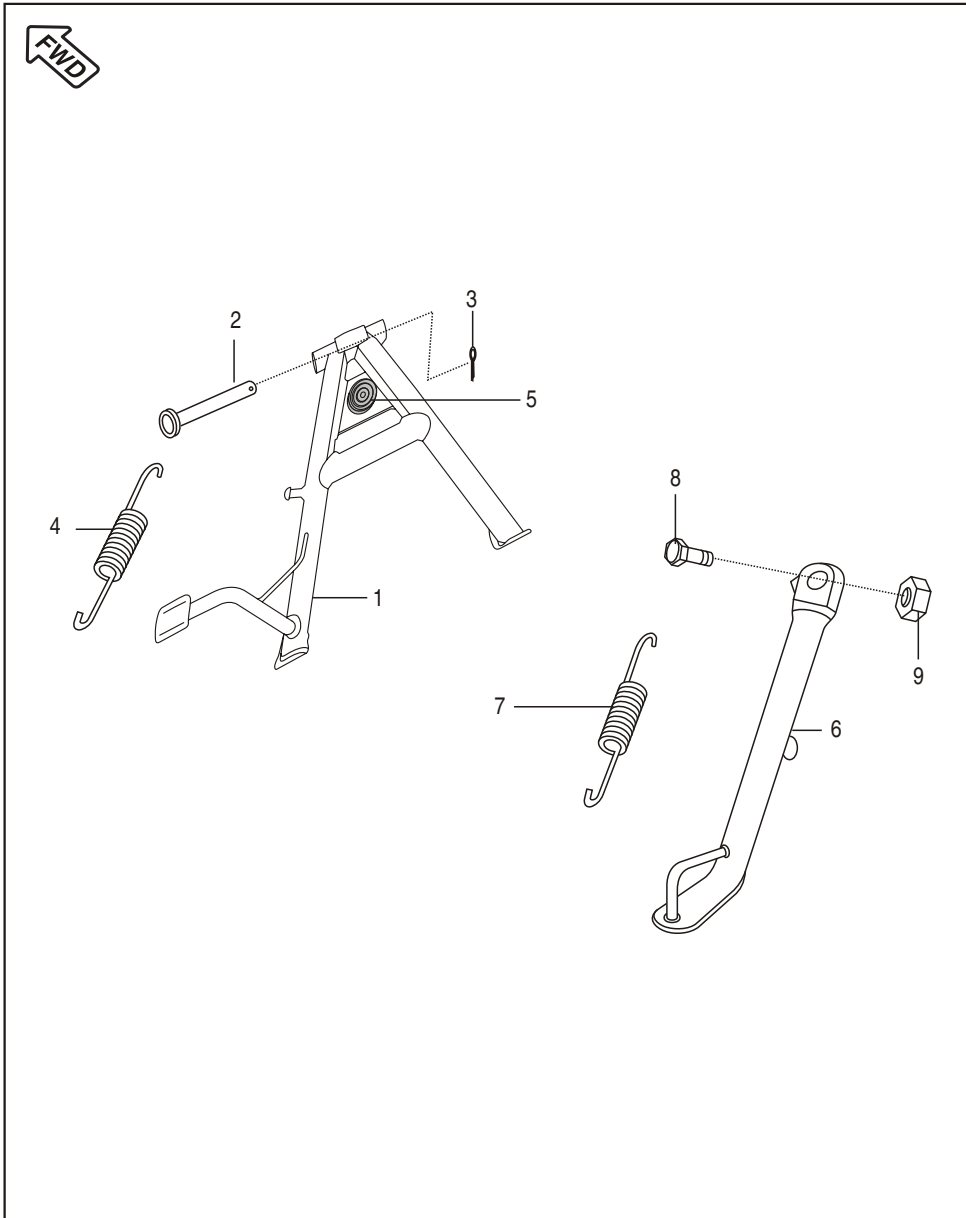
No.	Part No.	Description	ES Drum	Remarks
1	JK 1130 12	Stay main step fix	1	
2	DF 1614 13	Damper step front in PVC	2	
3	DH 1611 94	Stopper kick	1	
4	JA 1130 11	Flange bolt M8	4	
5	JK 1130 06	Stay LH	1	
6	JK 1130 07	Stay RH	1	
7	JK 1130 08	Damper step	2	
8	JK 1130 09	Hex bolt (M8)	2	
9	30 1710 22	Pin	2	
10	DP 1611 63	Washer	2	
11	39 0784 08	Split Pin	2	

Mudguard - Front & Rear



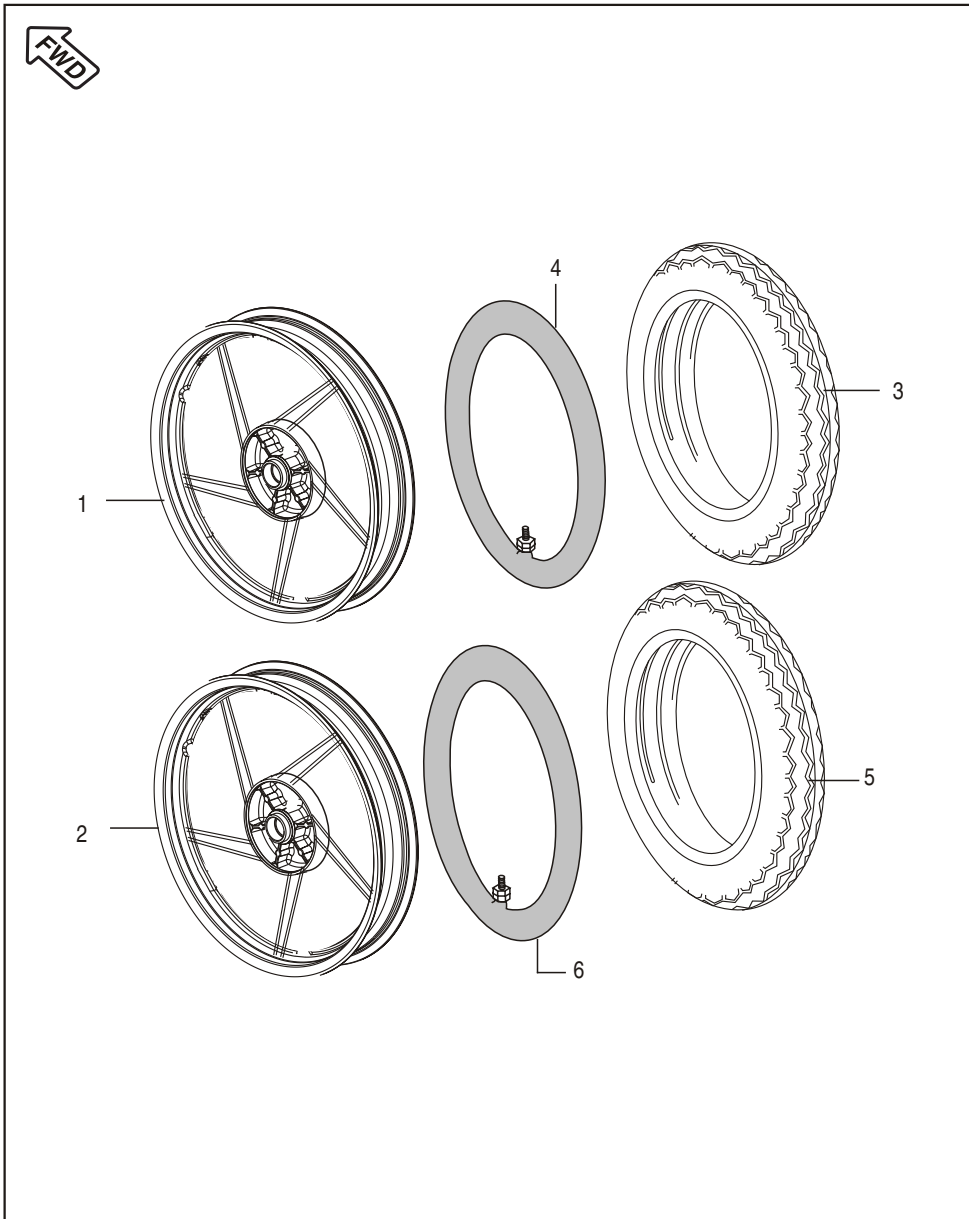
No.	Part No.	Description	ES Drum	Remarks
1	DP 1610 07	Fender rear	1	
2	DU 1610 98	Brace fender front	1	
3	39 2222 04	Flanged bolt (M8)	4	
4	DS 1611 25	Cable guide	1	
5	DJ 1610 69	Nail for cable guide	1	
6	DP 1610 06	Fender Rear Front	1	
7	DP 1610 94	Bolt Stepped M6	1	

Stand Assembly



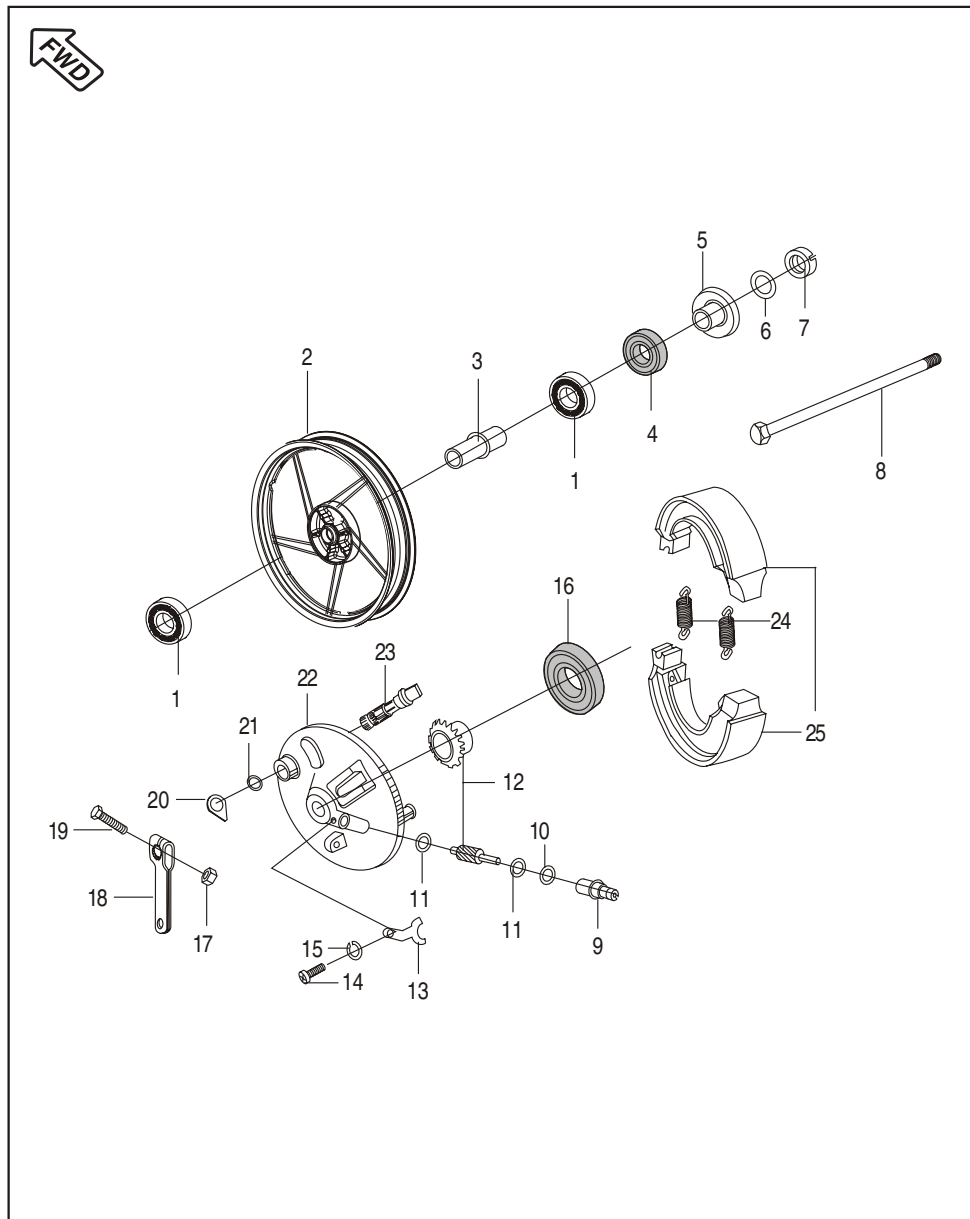
No.	Part No.	Description	ES Drum	Remarks
1	JK 1132 01	Center stand	1	
2	JK 1132 02	Shaft stand	1	
3	39 0797 08	Pin cotter	1	
4	DD 1613 80	Spring main stand	1	
5	DG 1612 24	Damper	1	
6	JK 1132 03	Stand side	1	
7	DH 1610 66	Spring side stand	1	
8	DF 1611 02	Bolt	1	
9	39 0422 15	Nut nyloc M10	1	

Tube / Tyre / Rim



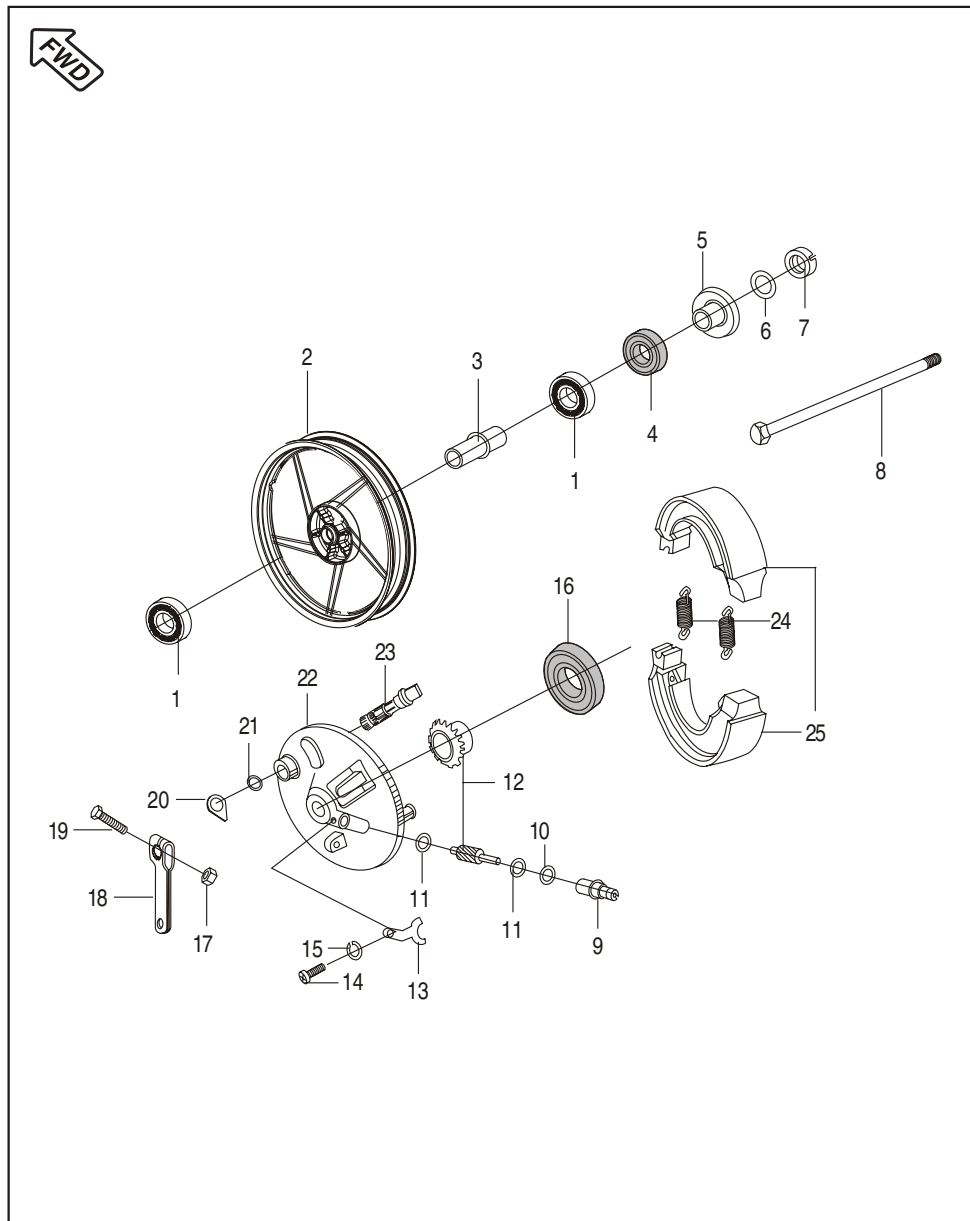
No.	Part No.	Description	ES Drum	Remarks
1	JK 1310 21	Wheel Rim Front 1.4 x 17	1	
2	JB 1312 22	Wheel Rim Rear	1	
3	DM 1510 25	Tyre Front 2.75 x 17 Rib	1	} Not Serviceable
4	DS 1510 49	Tube Front 2.75 x 17	1	
5	DM 1510 28	Tyre Rear 3.00 x 17	1	
6	DS 1510 53	Tube Rear 3 x 17	1	

Front Hub



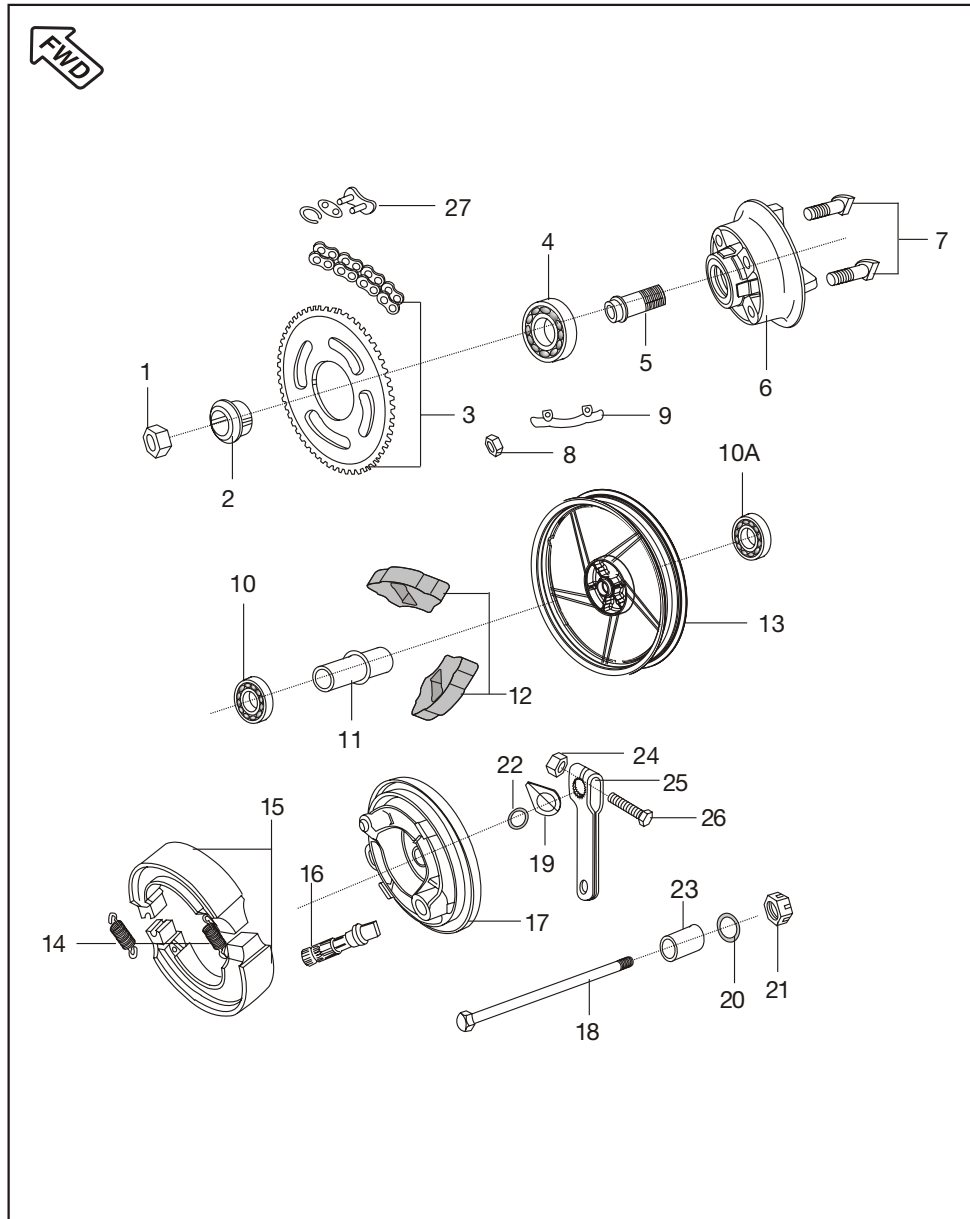
No.	Part No.	Description	ES Drum	Remarks
1	39 2680 20	Bearing Ball 10 x 35 x 11	2	
2	JK 1310 21	Front Wheel 1.4 x 17	1	
3	31 1510 04	Collar	1	
4	14 1510 21	Oil Seal 30 x 17 x 6	1	
5	JK 1318 07	Collar Axle Assly.	1	
6	39 1510 11	Plain Washer	1	
7	LC J000 01	'U' Nut M10 x 1.25	1	
8	JK 1310 23	Axle	1	
9	JA 1316 06	Bushing	1	
10	39 1013 21	Ring 'O'	1	
11	30 1510 42	Washer	2	
12	36 DZ00 08	Gear Meter Screw Kit	1	Refer page no. 61
13	JK 1310 16	Stopper For Bushing	1	
14	JK 1310 18	Screw Pan Cross M4	1	
15	39 0900 12	Spring Washer	1	
16	31 1510 14	Oil Seal	1	
17	DS 1510 94	Flange Nut M6	1	
18	JK 1310 24	Lever Brake Cam	1	
19	DS 1510 95	Bolt Hex M6 x 1	1	
20	DS 1510 91	Indicator Front	1	

Front Hub



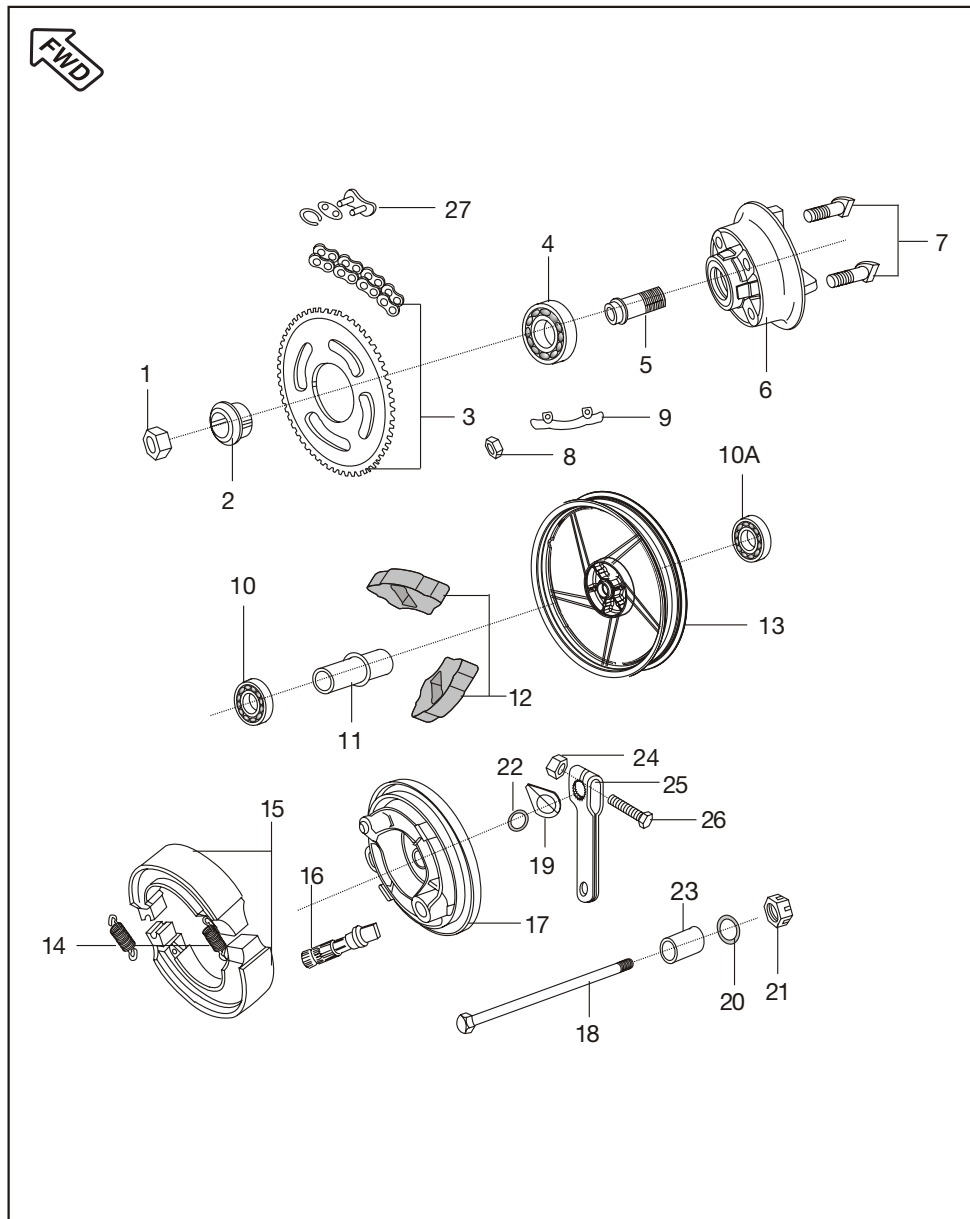
No.	Part No.	Description	ES Drum	Remarks
21	30 1510 38	"O" ring	1	
22	JK 1318 06	Panel Front Brake	1	
23	JK 1310 25	Cam Brake	1	
24	30 1510 69	Spring	2	
25	31 1510 60	Shoe Brake	2	

Rear Hub



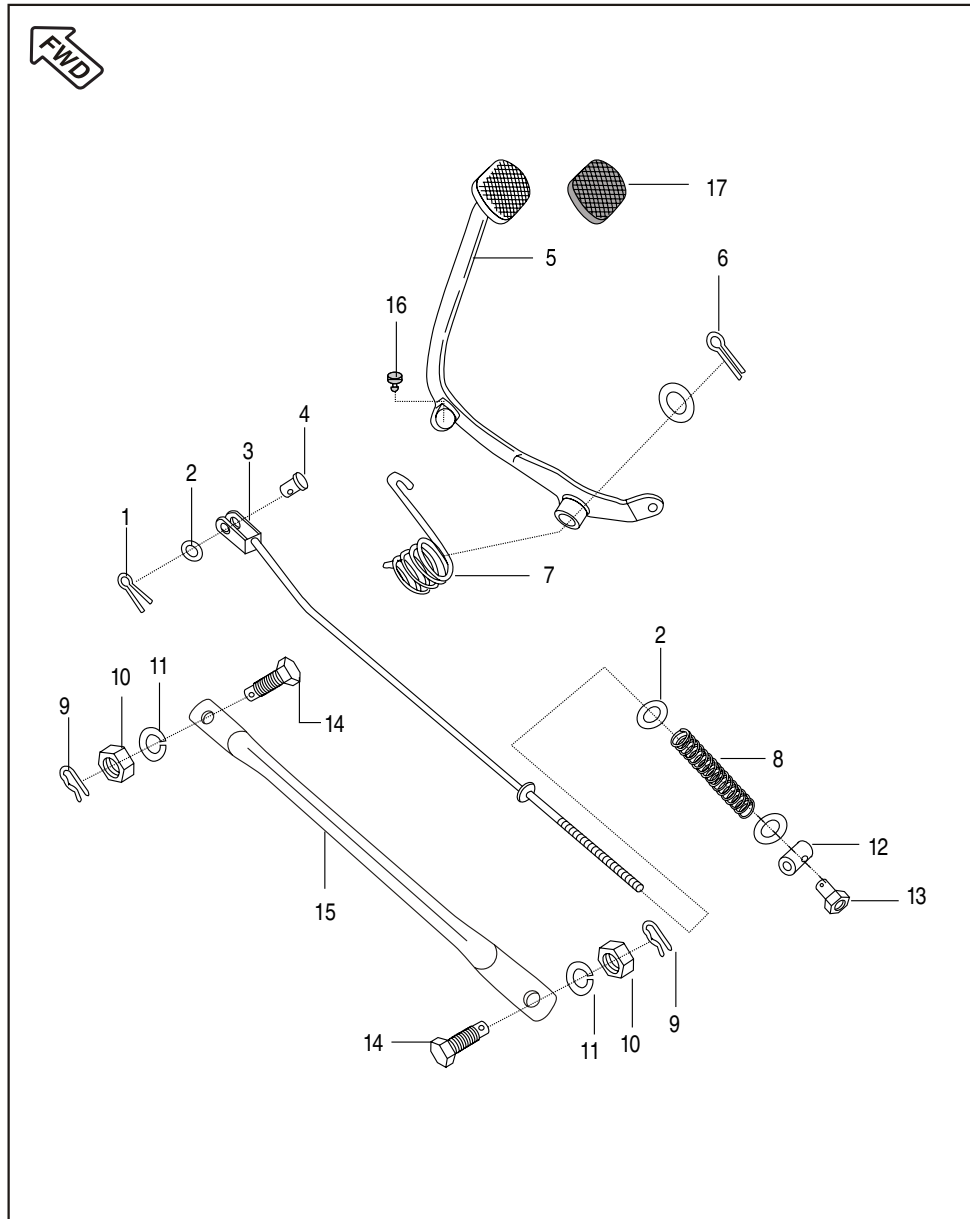
No.	Part No.	Description	ES Drum	Remarks
1	JB 1312 25	Nut Hex M8 x 1.25	1	
2	JK 1312 04	Collar	1	
3	36 JB00 03	Chain Sprocket Kit	1	Refer page no. 61
4	39 2240 20	Bearing Ball	1	
5	JK 1312 02	Sleeve	1	
6	DU 1510 10	Coupling	1	
7	39 0978 04	'D' bolt M-10	4	
8	39 0794 15	Nut Hex Fine M10 x 1.25	4	
9	31 1510 29	Lock Washer	2	
10	39 2682 20	Ball bearing (12x37x12)	1	
10A	39 1364 20	Ball bearing (12x32x10)	1	
11	31 1510 18	Collar Bearing	2	
12	31 1510 21	Coupling Rubber	4	
13	JB 1312 22	Wheel 1.6 x 17	1	
14	30 1510 69	Spring	2	
15	31 1510 60	Shoe Brake	1	
16	31 1510 23	Brake Cam	1	
17	JA 1312 05	Panel Rear Brake	1	
18	JK 1312 01	Axle	1	
19	DS 1510 90	Indicator	1	
20	DX 1510 18	Washer Plain	1	

Rear Hub

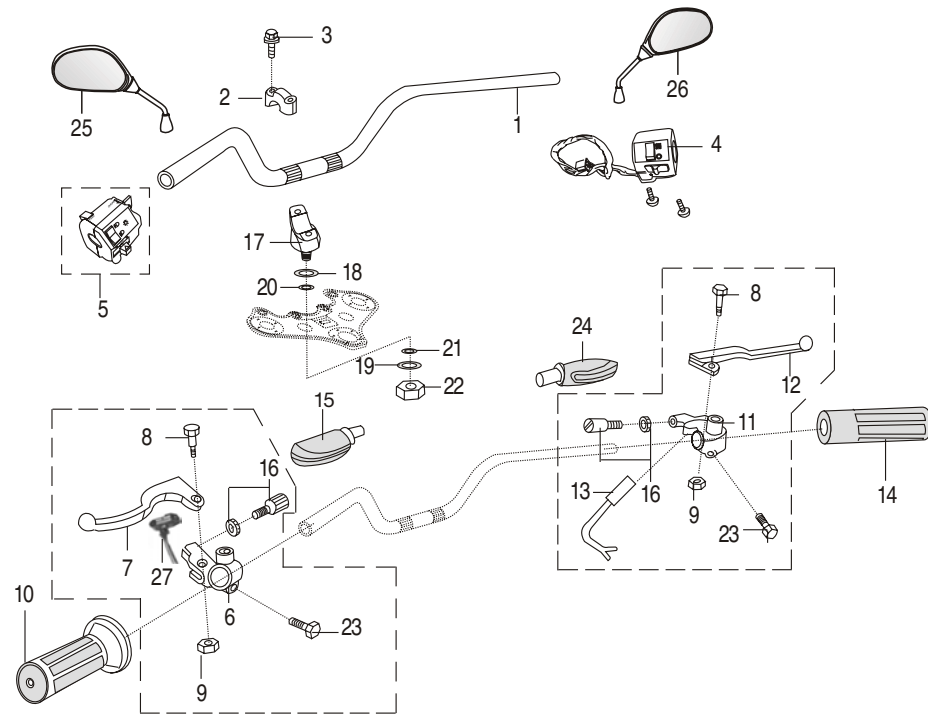


No.	Part No.	Description	ES Drum	Remarks
21	JB 1310 19	'U' nut M12x1.25	1	
22	30 1510 38	Ring 'O'	1	
23	JK 1312 03	Collar	1	
24	DS 1510 94	Hex Nut Flange M6	1	
25	JB 1316 05	Lever Brake	1	
26	JB 1312 24	Hex bolt / Flange M6	1	
27	JB 1410 01	Chain lock set	1	

Rear Brake Pedal



No.	Part No.	Description	ES Drum	Remarks
1	39 0808 08	Split pin	1	
2	39 0198 11	Plain washer	2	
3	JK 1610 01	Rod brake	1	
4	30 1910 38	Pin	1	
5	JK 1318 00	Lever Brake Tubular	1	
6	39 0797 08	Pin Cotter	1	
7	30 1910 31	Spring	1	
8	30 1910 35	Spring	1	
9	39 0807 08	Pin Snap	2	
10	39 0708 15	Nut Hex M10 x 1.25	2	
11	39 0789 12	Washer Spring	2	
12	JB 1610 02	Pin	1	
13	30 1910 36	Brake Adjusting Nut	1	
14	30 1510 95	Bolt M10 x 1.25	2	
15	JK 1220 11	Torque Rod	1	
16	DD 1610 78	Damper	1	
17	JA 1610 03	Pad Brake Pedal	1	

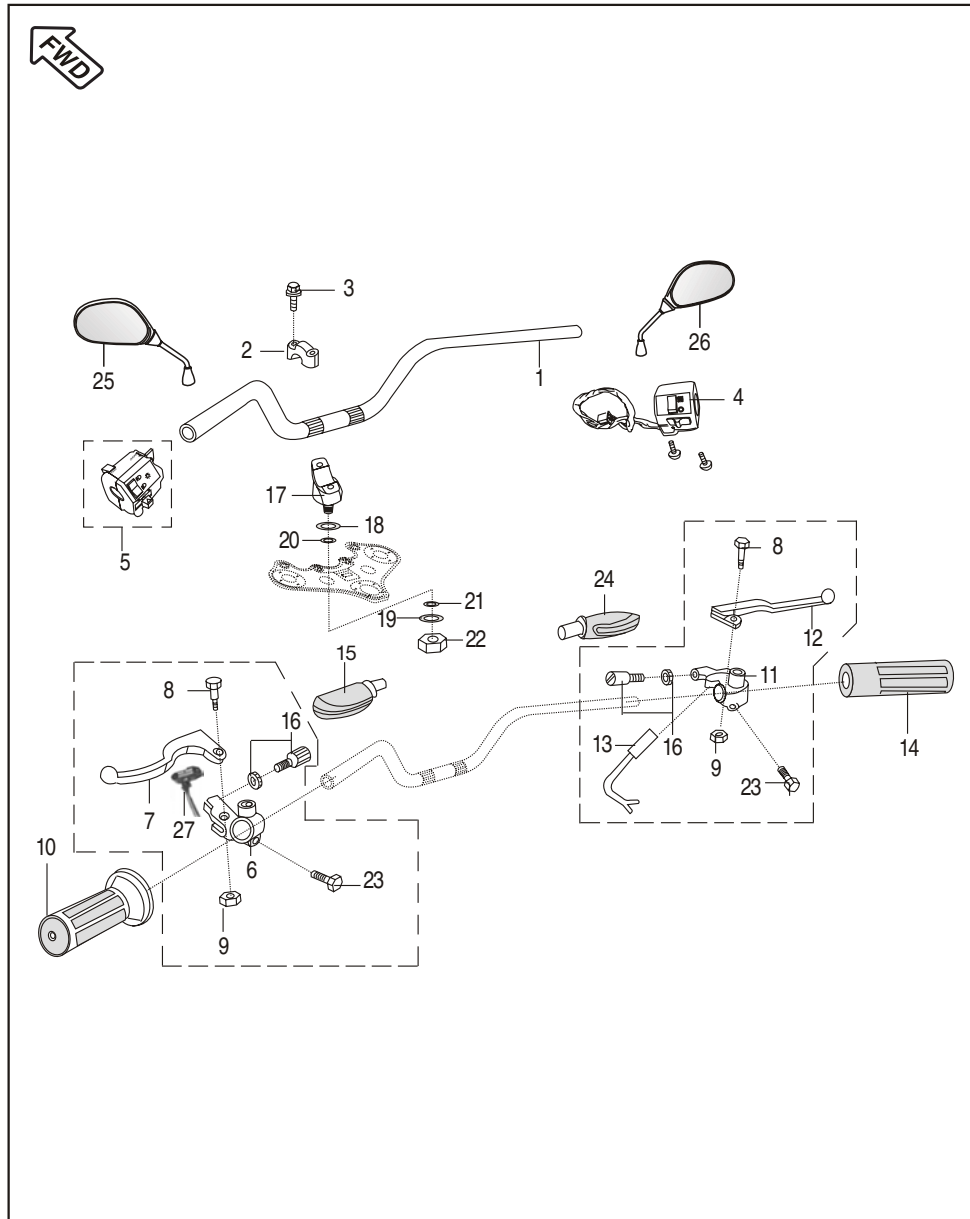


Handle Bar

No.	Part No.	Description	ES Drum	Remarks
1	DU 1810 21	Handle	1	
2	FD 1810 30	Holder handle upper	2	
3	39 1074 04	Flanged bolt	4	
4	JK 4014 01	Control switch RH	1	
5	JB 4014 00	Control switch LH	1	
6	DJ 1910 54	Holder left hand	1	
7	DJ 1910 55	Lever grip - Left	1	
8	DL 1910 14	Stud Lever handle	2	
9	39 1184 15	Nyloc nut	2	
10	DU 1910 09	Grip - Left hand	1	
11	DS 1910 38	Holder Right hand	1	
12	DD 1911 42	Lever grip - Right	1	
13	DD 2011 70	Front brake switch	1	With Wiring Harness
14	DU 1910 03	Grip assly RH	1	
15	DS 1910 52	Boot Lever LH	1	
16	36 DU19 01	Cable Adjuster kit	2	
17	FD 1810 31	Holder Handle Lower	2	
18	DF 1810 91	Damper Handle Upper	2	
19	DF 1810 92	Damper Handle Lower	2	
20	FD 1810 19	Washer Plain Upper	2	

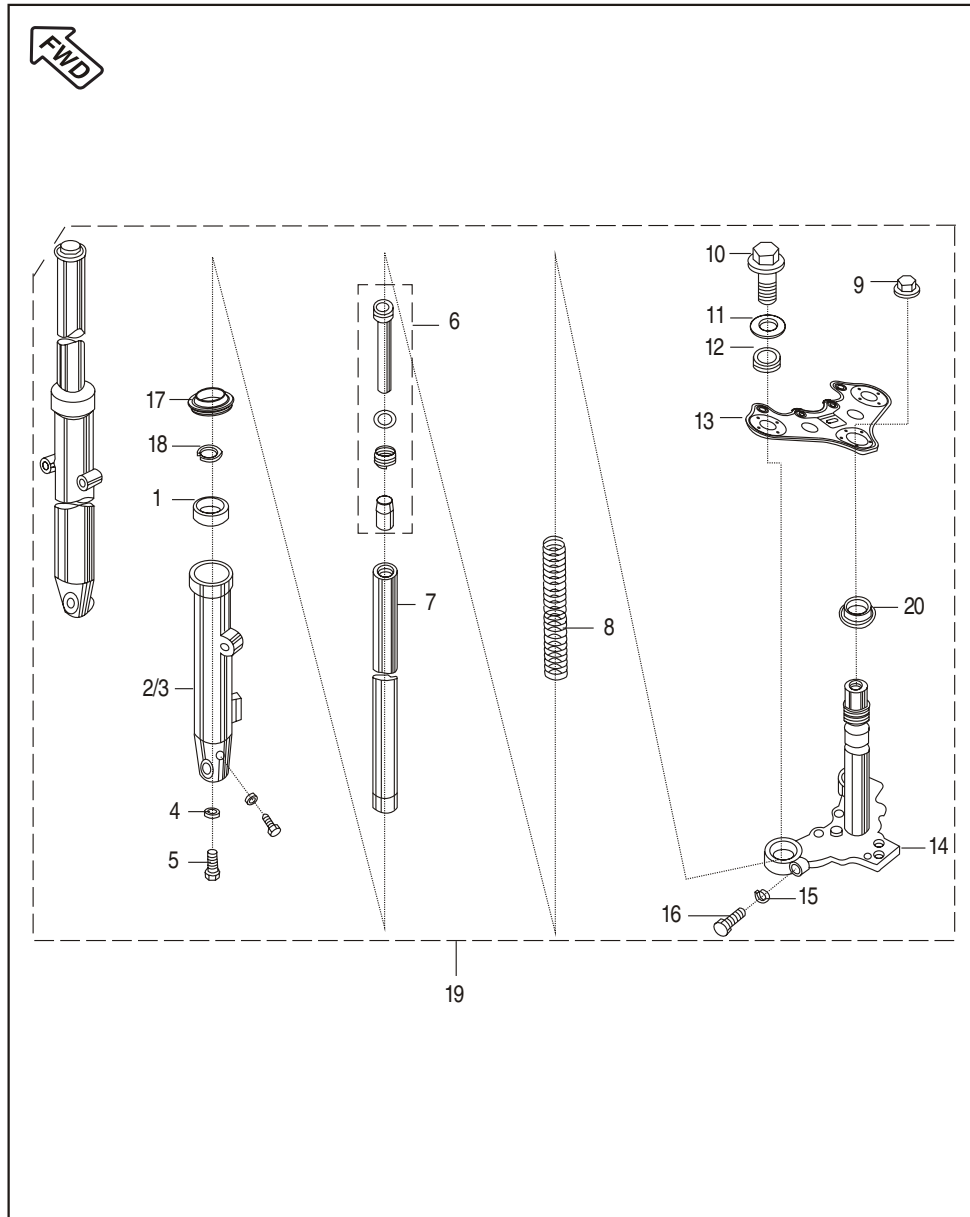


Handle Bar



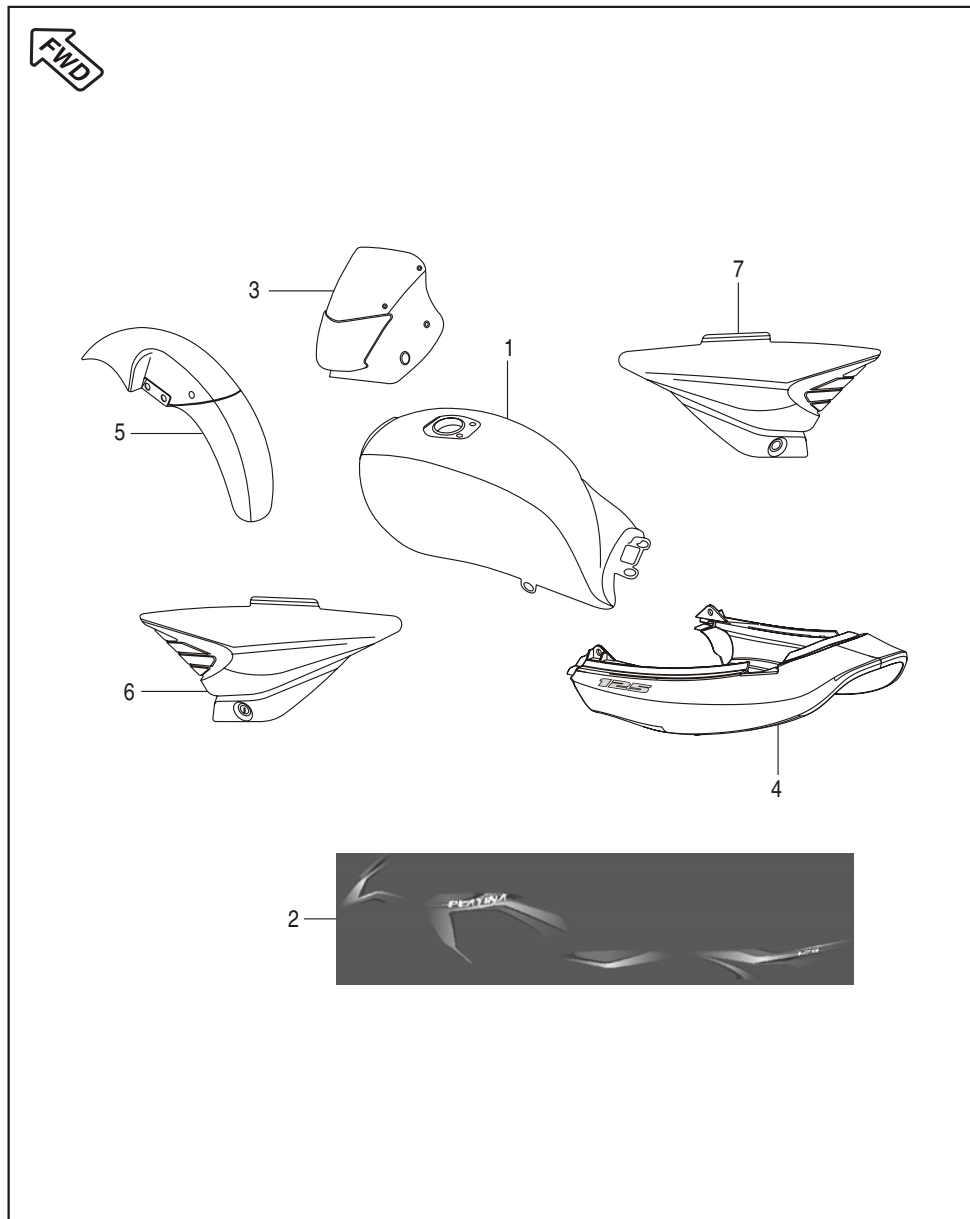
No.	Part No.	Description	ES Drum	Remarks
21	FD 1810 20	Washer Plain Lower	2	
22	39 2249 15	Nut nyloc M10	2	
23	39 1553 04	Bolt flange M6	2	
24	DS 1910 18	Boot Lever RH	1	
25	DJ 2210 03	Mirror assly. LH	1	
26	DJ 2210 04	Mirror assly. RH	1	
27	JB 4014 09	Clutch switch (6A Diode)	1	

Front Fork



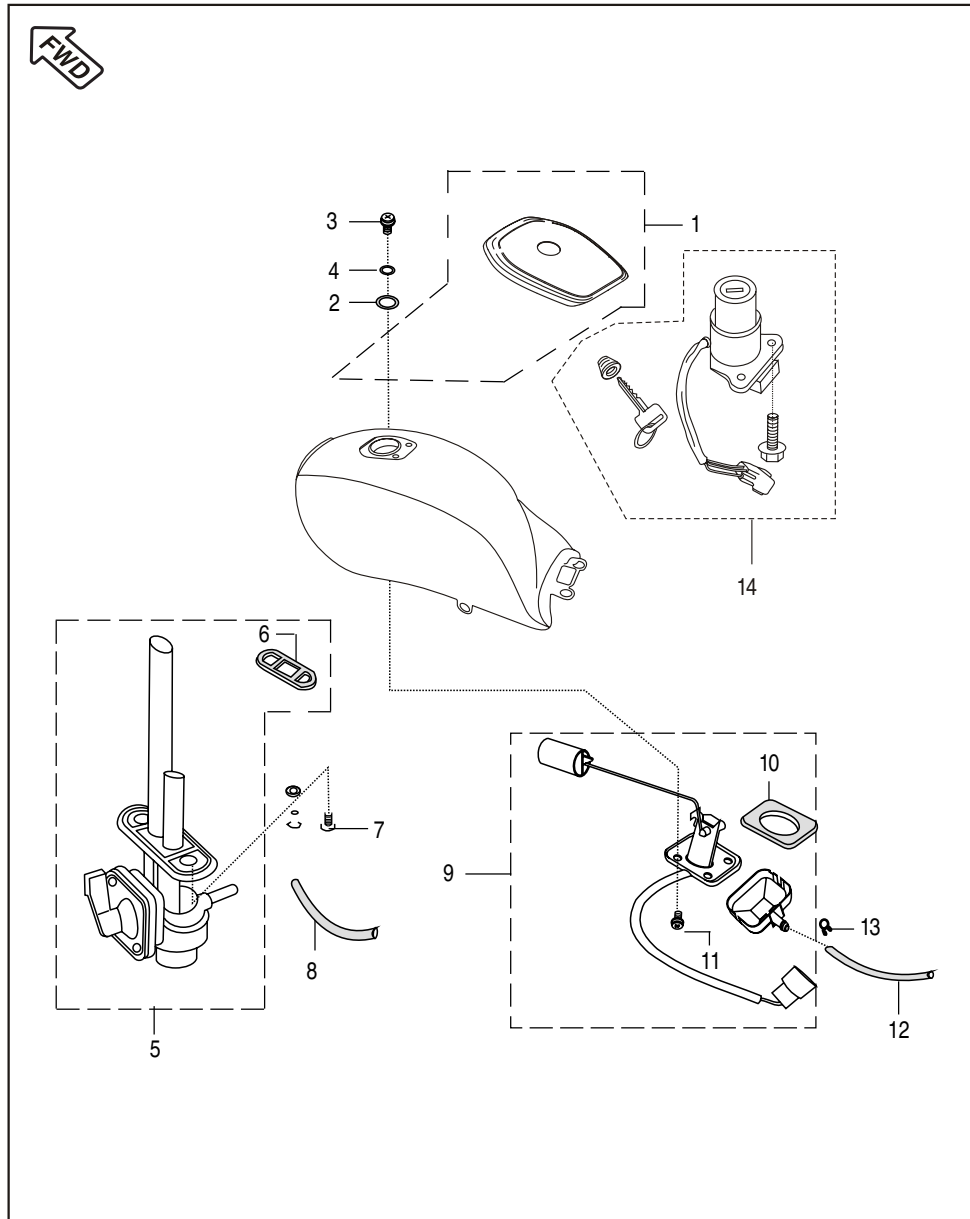
No.	Part No.	Description	ES Drum	Remarks
1	DL 1810 80	Seal Oil Hi Tec.	2	
2	JK 1210 12	Pipe Left Fork Outer	1	
3	JK 1210 13	Pipe Right Fork Outer	1	
4	30 1810 26	Gasket	2	
5	30 1810 25	Bolt	2	
6	30 1810 53	Cyl. Complete Fork	2	
7	DM 1810 36	Pipe Comp. Susp. Inner	2	
8	DE 1810 31	Spring Front Fork	2	
9	FD 1810 12	Cap Special Nut	1	
10	DU 1810 69	Bolt Fork	2	
11	30 1810 29	Ring 'O'	2	
12	DF 1810 85	Seat Fork Spring	2	
13	DD 1812 05	Holder Fork Upper	1	
14	DD 1812 07	Holder Fork Under	1	
15	39 0789 12	Washer Spring	2	
16	39 1813 04	Bolt Hex. <10 x 1.25	2	
17	DD 1810 11	Dust seal	2	
18	30 1810 23	Ring snap	2	
19	JK 1210 14	Front Fork	1	
20	36 3140 01	Bearing cone Kit	1	Ref. page No. 100

Painted Parts and Decals



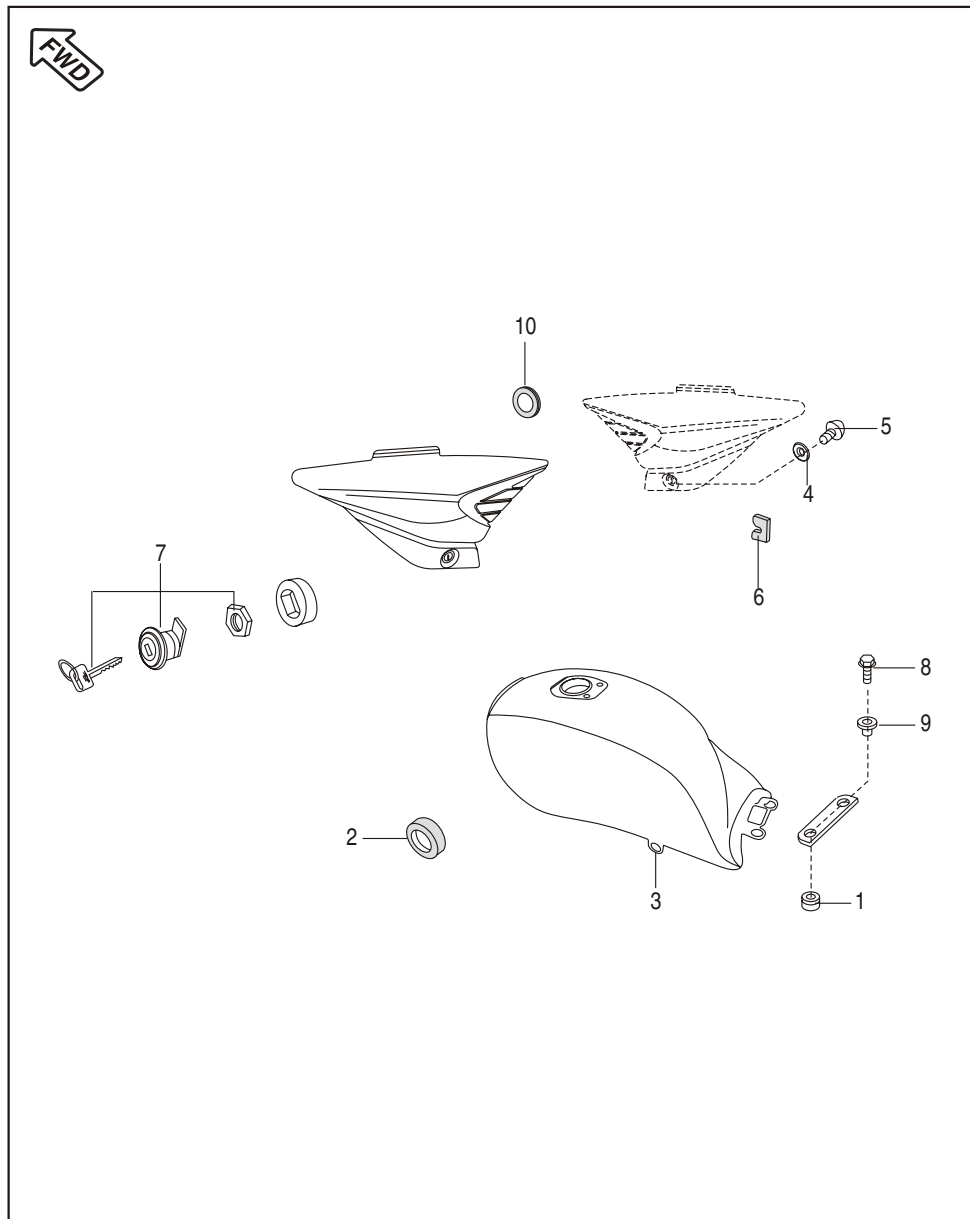
No.	Part No.	Description	ES Drum	Remarks
1	JK 7103 4C	Petrol tank with decal	1	Black - Blue
	JK 7103 4D	Petrol tank with decal	1	Black - Red
	JK 7103 4N	Petrol tank with decal	1	Black - Green
	JK 7103 3F	Petrol tank with decal	1	Flame Red - Red
2	36 JK00 15	Decal Set	1	Black - Blue
	36 JK00 16	Decal Set	1	Black - Red
	36 JK00 17	Decal Set	1	Black - Green
	36 JK00 18	Decal Set	1	Flame Red - Red
3	JK 7401 4C	Fairing with decal	1	Black - Blue
	JK 7401 4D	Fairing with decal	1	Black - Red
	JK 7401 4N	Fairing with decal	1	Black - Green
	JK 7401 3F	Fairing with decal	1	Flame Red - Red
4	JK 7303 4C	Seat cover with decal	1	Black - Blue
	JK 7303 4D	Seat cover with decal	1	Black - Red
	JK 7303 4N	Seat cover with decal	1	Black - Green
	JK 7303 3F	Seat cover with decal	1	Flame Red - Red
5	JK 7304 4C	Fender Front	1	Black
	JK 7304 3F	Fender Front	1	Flame Red
6	JK 7301 4C	Side Cover LH with Decals	1	Black - Blue
	JK 7301 4D	Side Cover LH with Decals	1	Black - Red
	JK 7301 4N	Side Cover LH with Decals	1	Black - Green
	JK 7301 3F	Side Cover LH with Decals	1	Flame Red - Red
7	JK 7302 4C	Side Cover RH with Decals	1	Black - Blue
	JK 7302 4D	Side Cover RH with Decals	1	Black - Blue
	JK 7302 4N	Side Cover RH with Decals	1	Black - Blue
	JK 7302 3F	Side Cover RH with Decals	1	Black - Blue

Petrol Tank, Cap Tank and Gauge Fuel



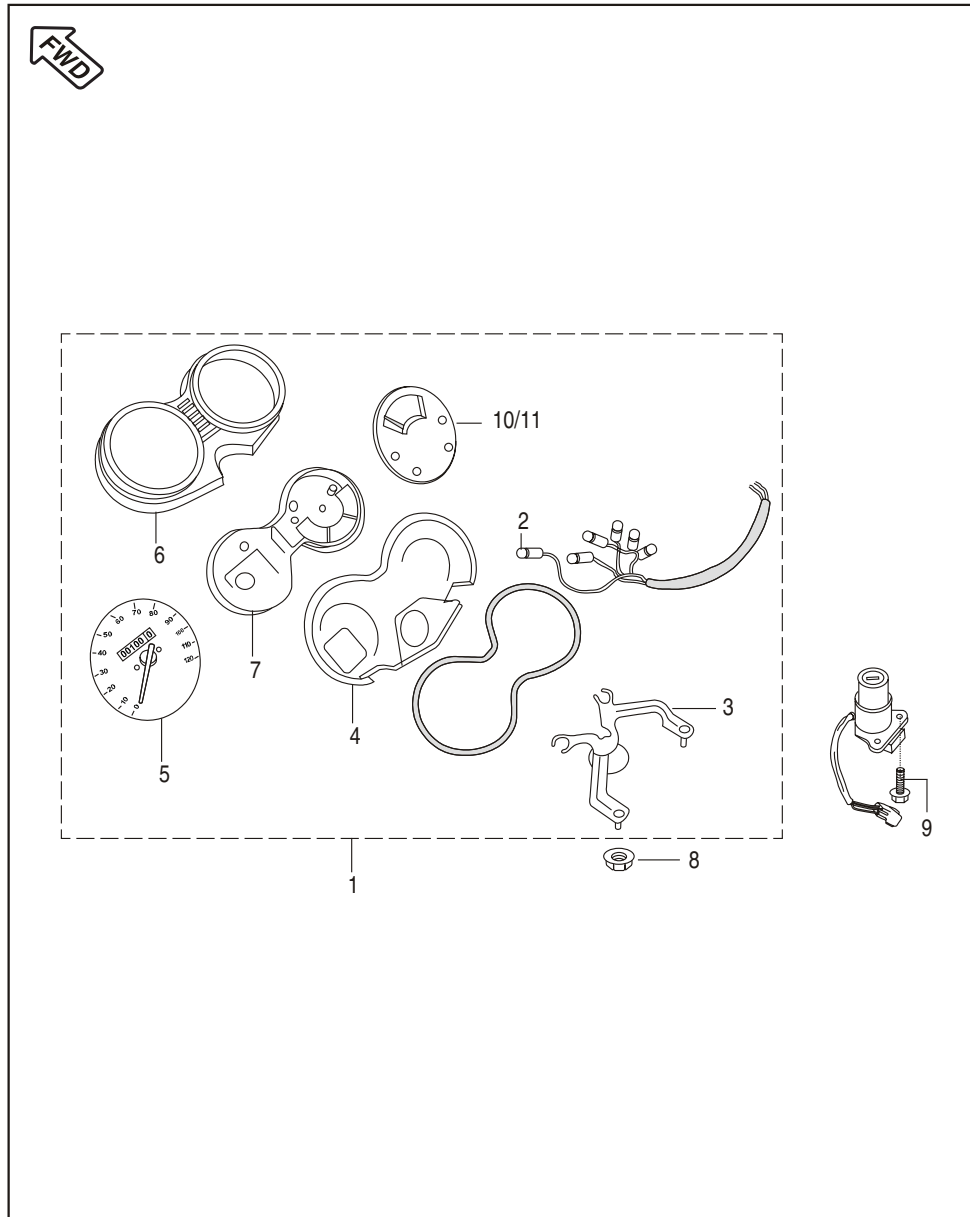
No.	Part No.	Description	ES Drum	Remarks
1	DS 1410 09	Cap Assly. Tank	1	
2	39 2179 24	Washer	2	
3	39 0761 01	Screw Pan Cross	2	
4	30 1410 31	O Ring	2	
5	DZ 1410 40	Tap Assly.	1	
6	30 1410 36	Packing For Tap	1	
7	DD 1412 27	Bolt Flanged	2	
8	DU 1410 41	Tube Fuel	1	
9	DZ 2010 02	Gauge Fuel	1	Bolt type design-Waluj
	DZ 2010 19	Gauge Fuel (Octagonal - N.I.)	1	
10	30 1410 28	Gasket for Gauge Fuel	1	
	39 2758 21	'O' ring	1	N.I. (Pantnagar)
11	30 1410 32	Bolt	4	
12	DZ 1010 34	Tube Rubber	1	
13	33 1410 08	Clamp	1	
14	DZ 1810 04	Lock Assly. 3 IN 1	1	

Fittings - Petrol Tank, Side Covers & Cover Seat



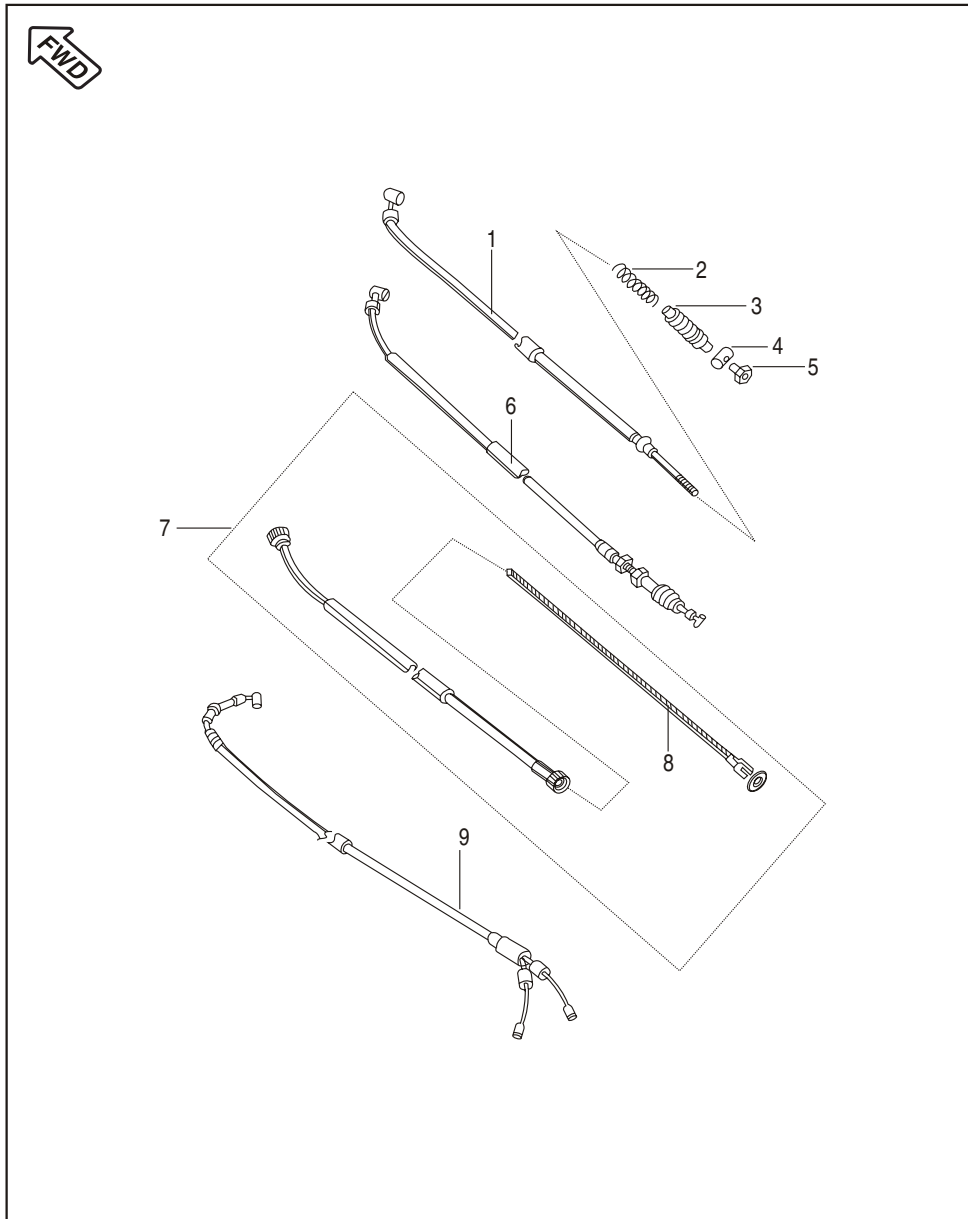
No.	Part No.	Description	ES Drum	Remarks
1	DG 1410 19	Damper	2	Petrol tank fixing plate
2	DF 1411 28	Damper	2	Steering tube
3	DG 1611 18	Grommet	2	Side cover
4	DP 1610 77	Collar	1	
5	DZ 1611 43	Screw	1	
6	31 1610 18	Damper	1	LH side cover 'C' shape
7	DZ 1810 04	Lock Assly. 3 IN 1	1	
8	39 1553 04	Flange Bolt	2	
9	30 2110 05	Collar Assly.	2	
10	30 1611 69	grommet	1	RH side cover

Meter Assembly



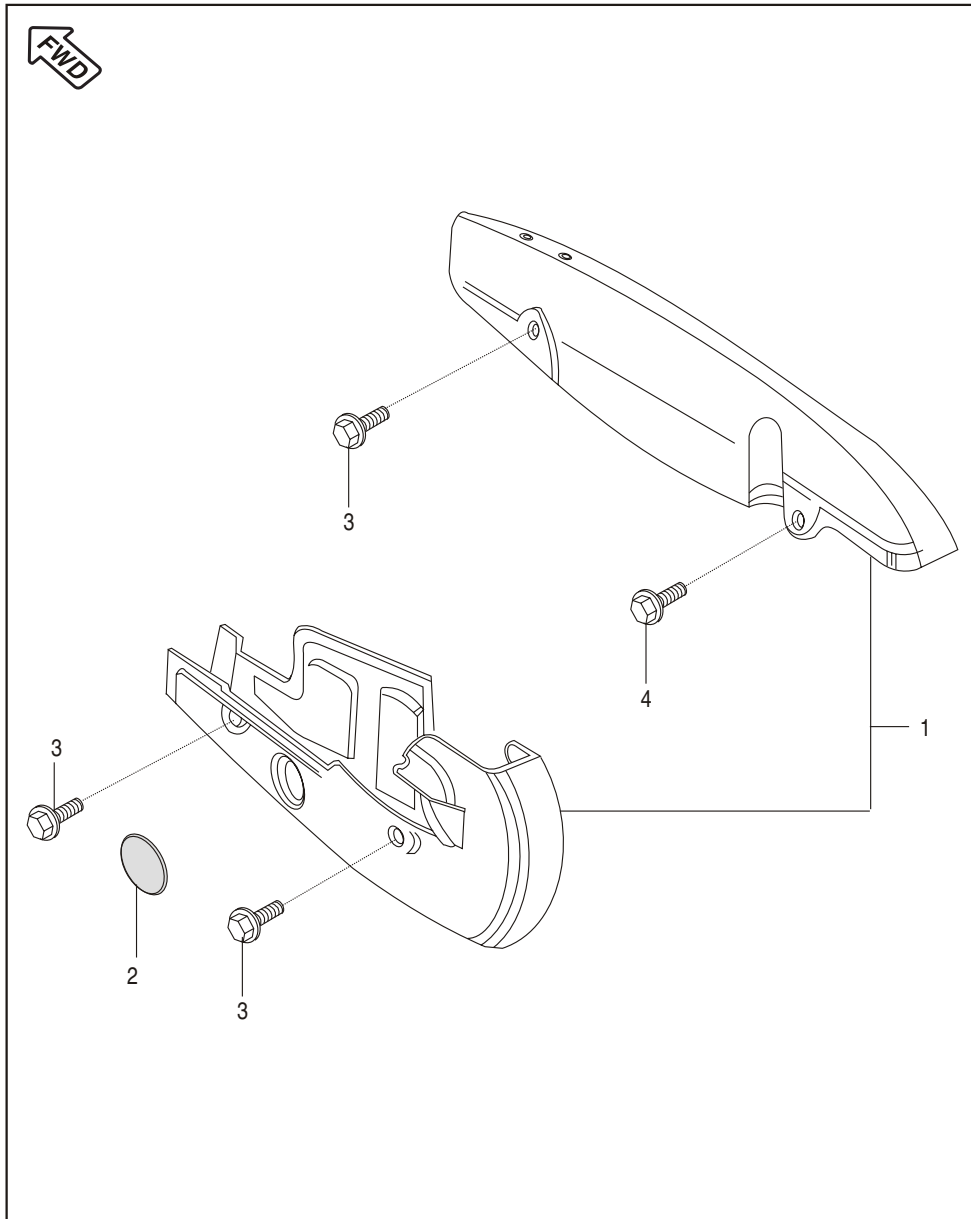
No.	Part No.	Description	ES Drum	Remarks
1	DZ 1910 05	Speedometer Assly Lamp	1	
2	DL 1910 20	Lamp 12V 3W (W/o Cap)	5	Alternate DH 1910 37
3	DU 1910 21	Bracket Speedo Mtg.	1	
4	DU 1910 23	Cover Meter Lower Black	1	
5	DZ 1910 09	Speedometer with dial	1	Minda
	JK 4024 03	Speedometer with dial	1	Pricol
6	DZ 1910 08	Cover case upper	1	
7	DU 1910 24	Cover (white) W/o Support Plate	1	Pricol
8	39 0798 15	Hex. Nut / Flange	2	
9	39 1943 04	Bolt Flanged	2	
10	DZ 1910 10	Fuel Meter	1	Pricol
11	JK 4024 09	Fuel Meter	1	Minda

Control Cables



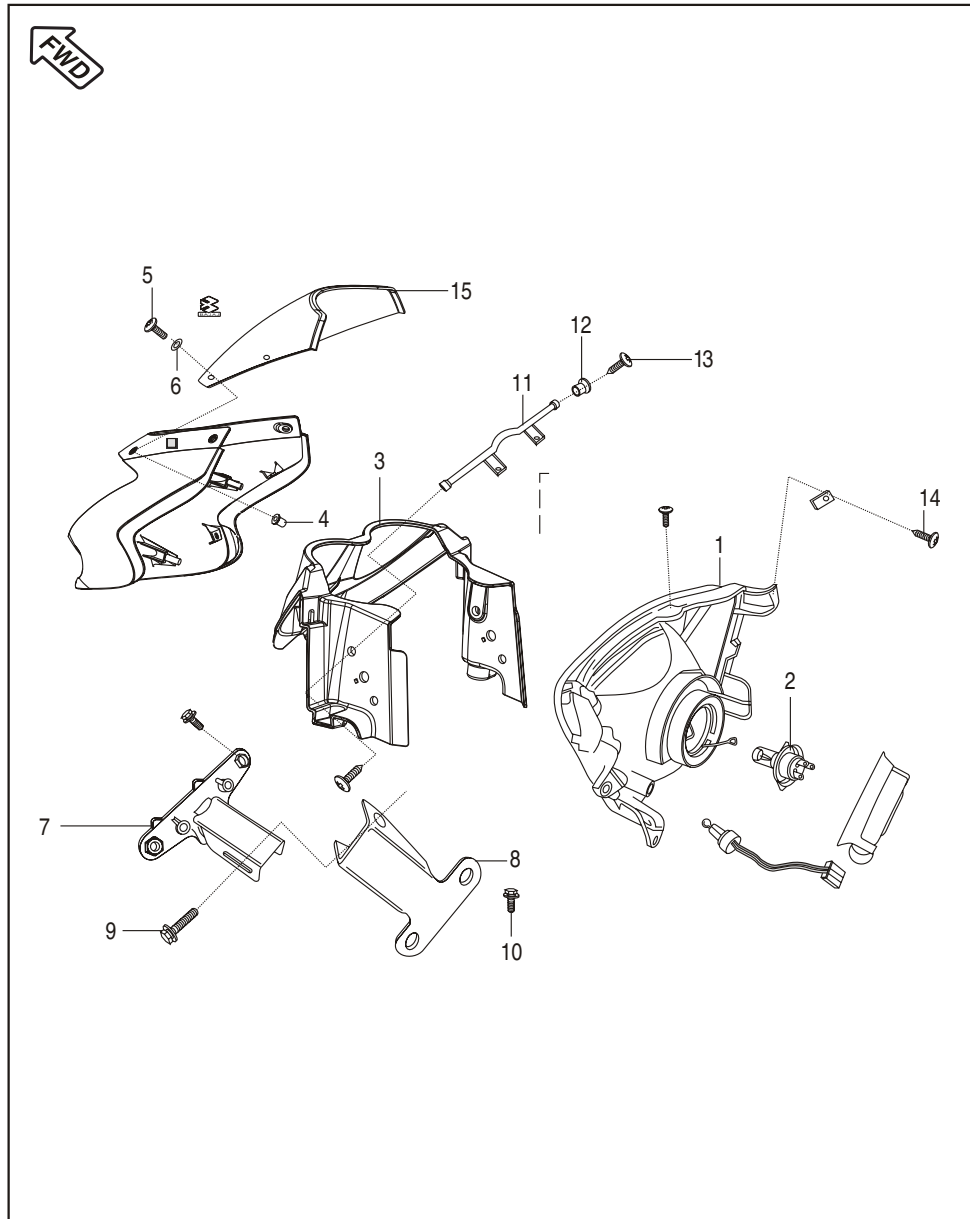
No.	Part No.	Description	ES Drum	Remarks
1	JK 1612 02	Cable Brake Front	1	
2	30 1910 70	Spring	1	
3	30 1910 69	Dust Seal	1	
4	30 1910 71	Rod End	1	
5	30 1910 72	Adjusting Nut	1	
6	JK 1612 01	Cable Clutch	1	
7	DZ 1910 14	Cable Speedometer	1	
8	DZ 1910 19	Inner Cable Speedo	1	
9	JK 1612 00	Cable Throttle	1	

Chain Case



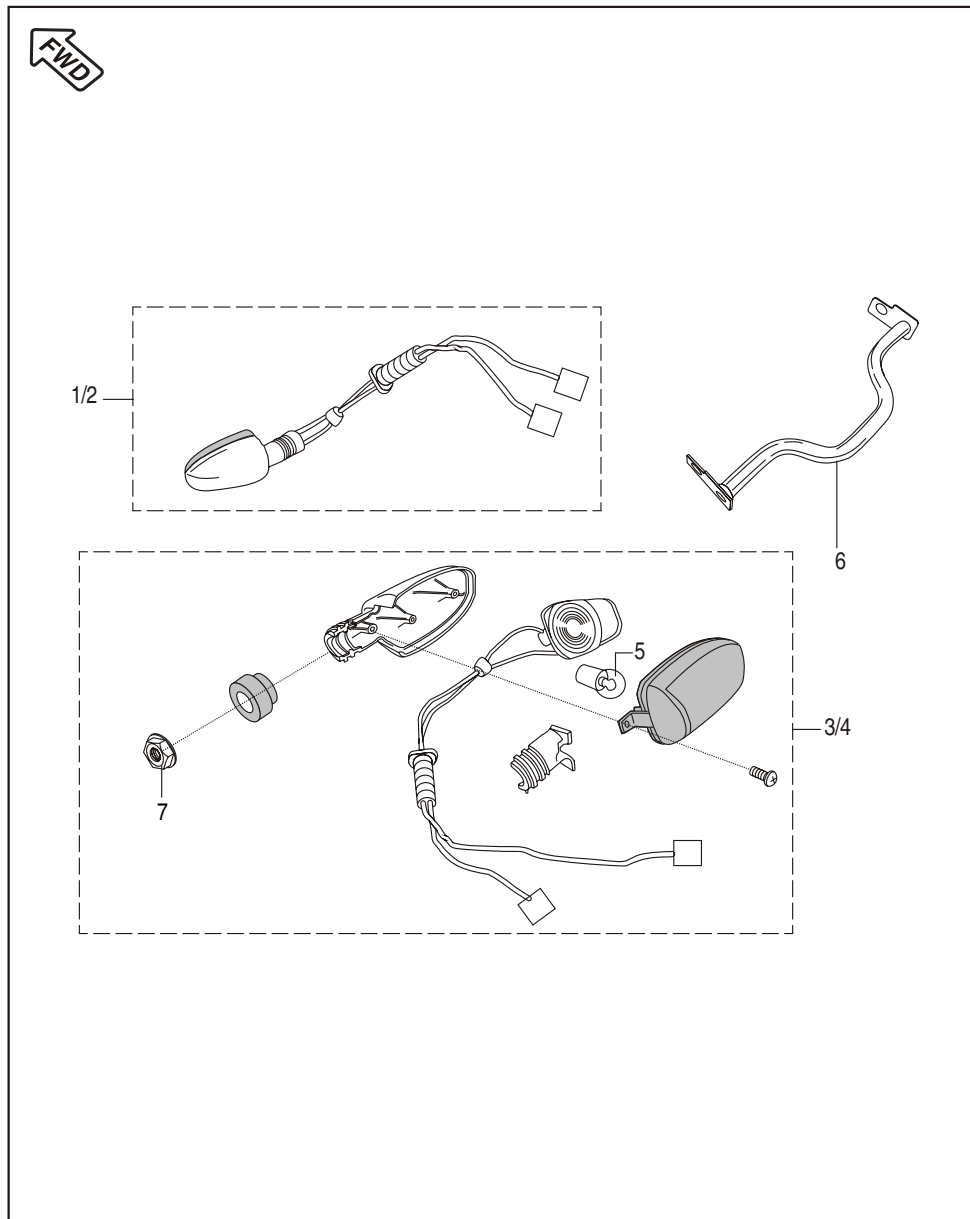
No.	Part No.	Description	ES Drum	Remarks
1	36 DZ00 09	Case Chain Kit	1	Refer page no. 100
2	DF 1614 16	Rubber Cap	1	
3	59 0400 28	Flanged Bolt	3	
4	59 0400 27		1	

Head Lamp & Fairing



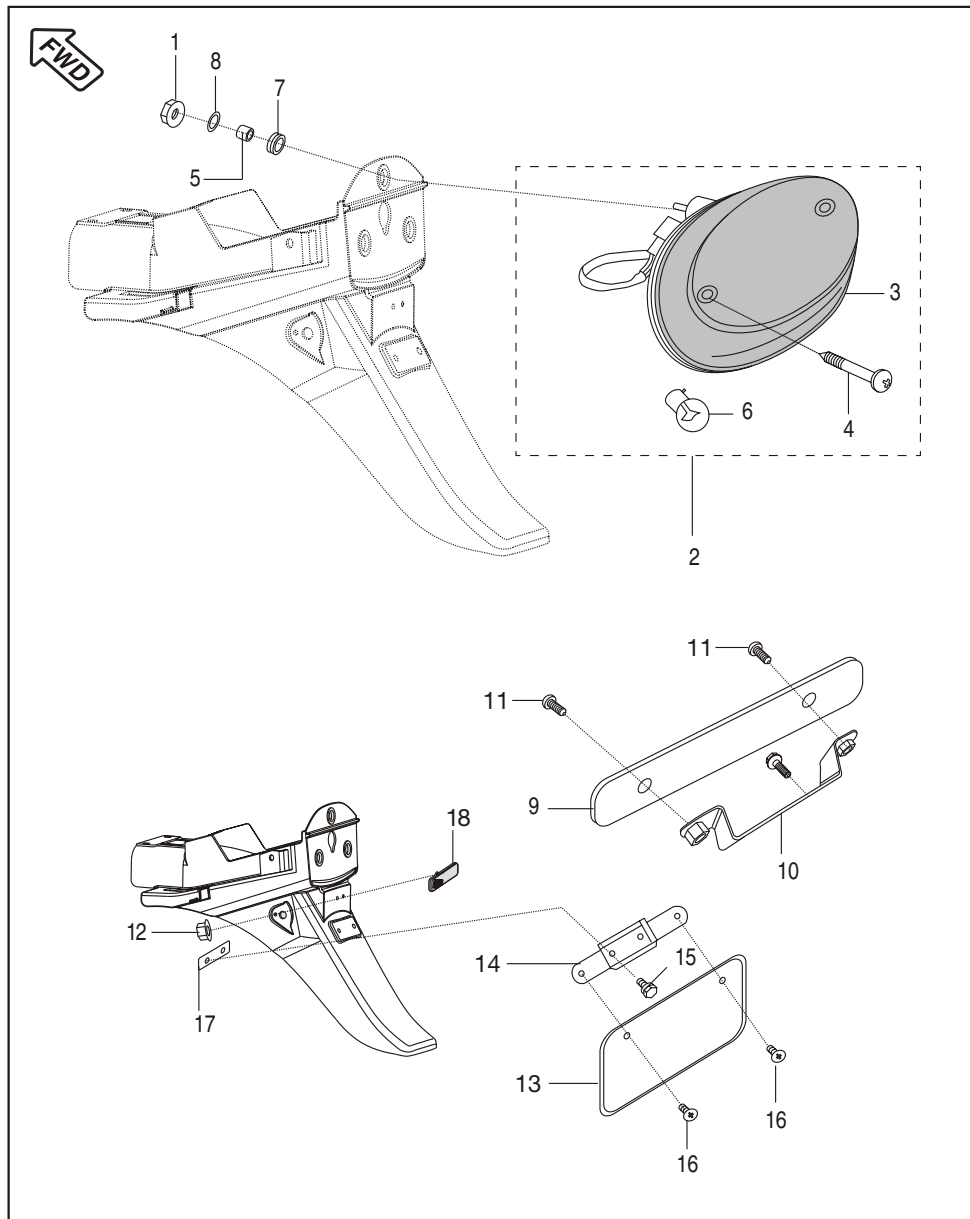
No.	Part No.	Description	ES Drum	Remarks
1	DU 2011 01	Head Light Assly with Lamp	1	
	DU 2011 08	Head Light Assly (w/o bulb)	1	
2	CL 2010 23	Lamp 12V-35/35W	1	
3	DZ 1810 01	Flap Cowling	1	
4	DL 1810 10	Nut Well	4	
5	DL 1810 09	Screw	5	
6	39 2141 24	Washer (Non metallic)	4	
7	DP 1810 12	Bracket Cowling side	1	
8	DP 1810 13	Bracket	1	
9	KA DF06 10	Bolt Flanged Small	1	
10	39 1943 04	Hex. Bolt/ Flange	2	
11	DZ 1810 03	Bracket Cowling Upper	1	
12	DP 1810 40	Collar	2	
13	39 2585 01	Screw M6 x 20	2	
14	39 0813 02	Cross Rec. Pan Hd. Tp Screw	4	
15	JK 1810 01	Wind Shield	1	

Indicator Light Assembly



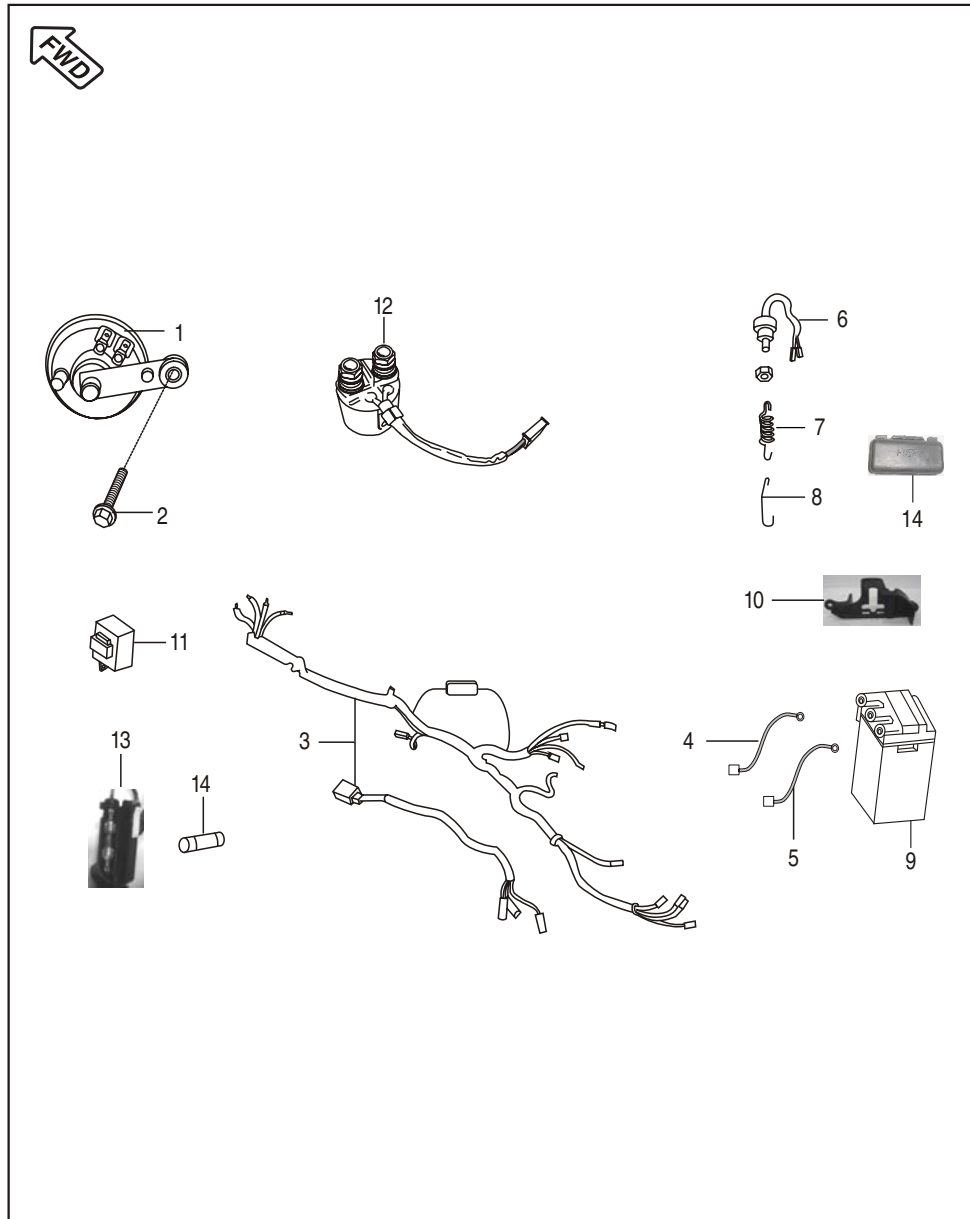
No.	Part No.	Description	ES Drum	Remarks
1	JK 4010 09	Dir. ind. Front LH with Lamp	1	
2	JK 4010 10	Dir. ind. Front RH with Lamp	1	
3	JK 4010 07	Dir. ind. Rear LH with Lamp	1	
4	JK 4010 08	Dir. ind. Rear RH with Lamp	1	
5	06 2010 83	Lamp 12 V 10 W Natural	4	
6	DZ 1810 63	Bracket Signal Front	1	
7	39 1225 15	Hex. Nut M10	2	

Tail Lamp Assly / Front Number Plate

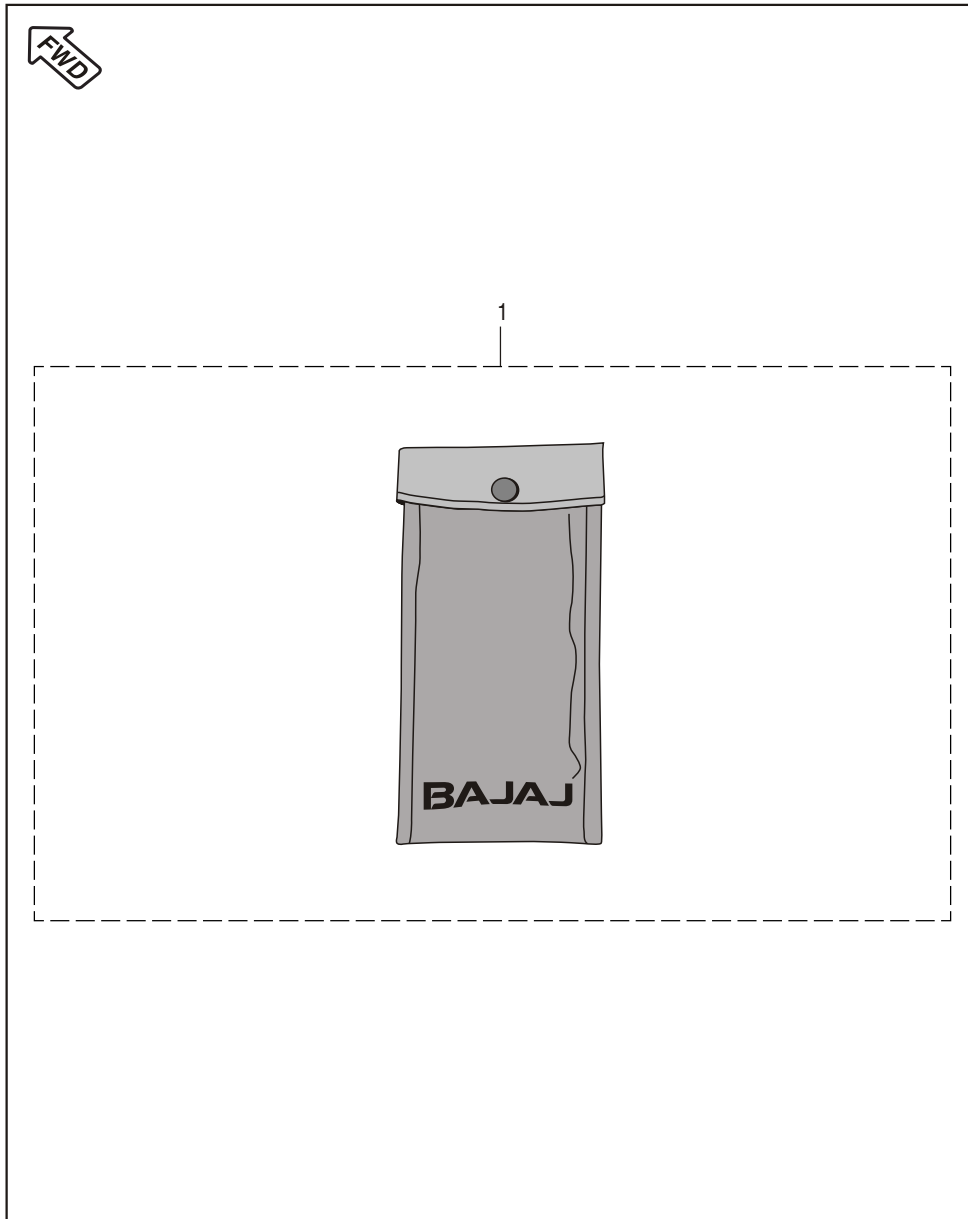


No.	Part No.	Description	ES Drum	Remarks
1	39 0817 15	Hex Nut / Flange	3	
2	DZ 2010 16	Tail Light Assly. with lamp	1	
3	DP 2010 19	Lens Tail Light	1	
4	DP 1610 75	Screw For Lens	2	
5	DZ 2010 15	Collar	3	
6	31 2010 28	Lamp 12 V, 10/5W	1	
7	DD 2010 11	Damper	3	
8	DP 2010 44	Plain Washer	3	
9	DP 1611 44	Front Number plate	1	
10	DP 1810 21	Bracket Front No. Plate	1	
11	39 1783 01	Truss Screw	2	
12	39 1972 15	Flanged Nut	1	N.S.
13	DP 1611 45	Number plate Rear	1	
14	DP 1611 01	Bracket No. Plate Rear	1	
15	39 2483 04	Hex head bolt / Flange	2	
16	39 2765 01	Truss Screw M6 x 10	2	
17	DP 1611 00	Bracket Fender Rear	1	
18	DD 2010 02	Reflector Reflex	1	

Electrical Equipments



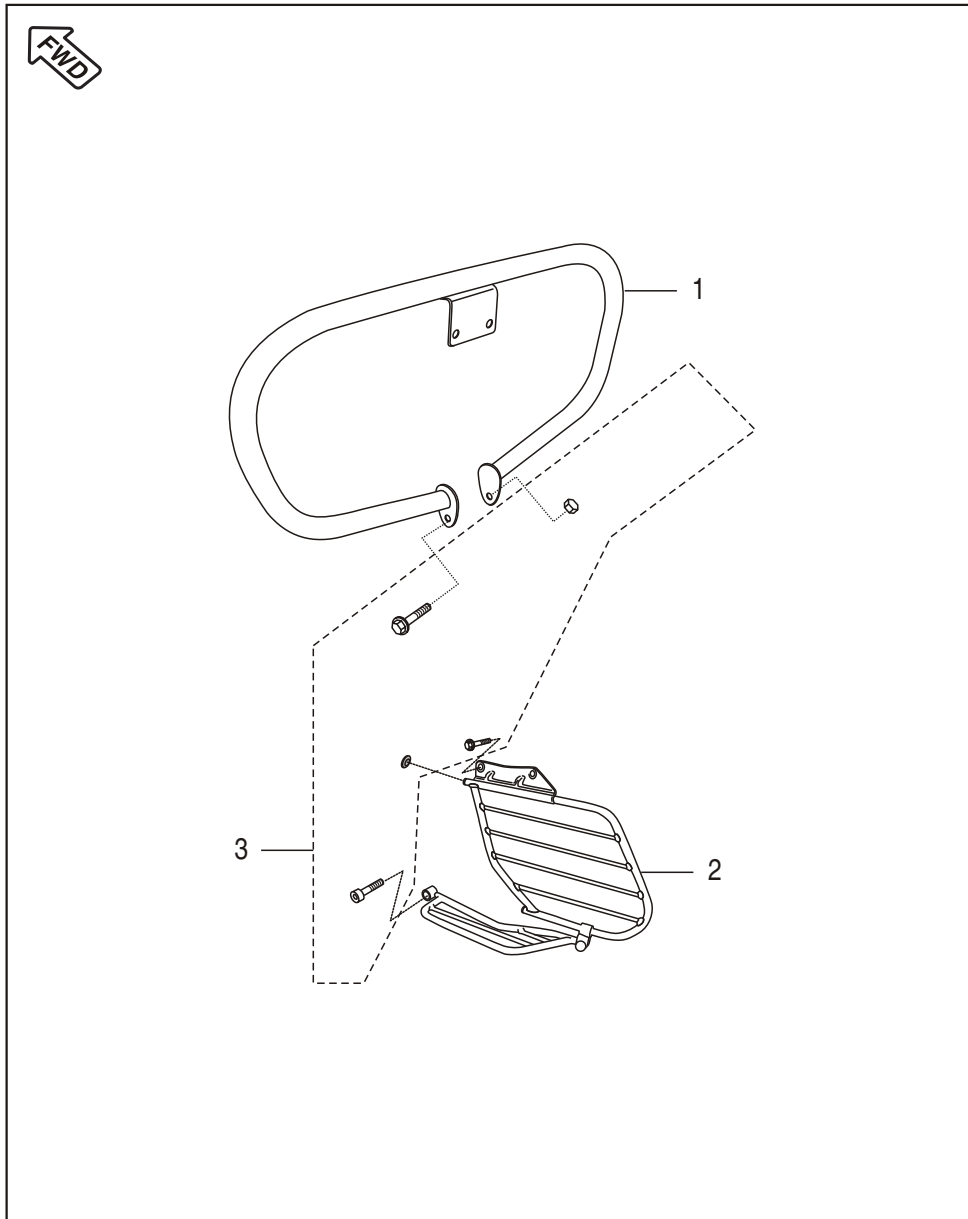
No.	Part No.	Description	ES Drum	Remarks
1	JW 4016 00	Horn with Stay	1	
2	39 1940 04	Flange Bolt - M8	1	
3	JK 4022 09	Wiring Harness	1	
4	JK 4022 05	Cable starter relay to st. motor	1	
5	JK 4022 01	Earth cable	1	
6	31 2010 79	Rear brake switch assly	1	
7	JK 1318 02	Spring Brake Switch	1	
8	JK 1318 03	Hook brake switch spring	1	
9	DS 2010 81	Battery 5Ah	1	Not Serviceable
10	JK 1138 00	Band Battery	1	
11	DS 2010 25	DC flasher solid state	1	
12	DK 2010 78	Starter Relay	1	
13	GF 2010 36	Fuse box Assly.	2	
14	GF 2010 53	Fuse	4	



Tool Kit

No.	Part No.	Description	ES Drum	Remarks
1	DZ 2210 05	Tool kit	1	

Accessories / Grab Handle



No.	Part No.	Description	ES Drum	Remarks
1	JK 2312 01	Leg guard	1	
2	JK 2312 03	Saree guard	1	
3	36 JK00 02	Hardware kit	1	Refer page no. 101

Kit List

Sr No	Kit Part No.	Kit Description	Consisting of Following Parts		
			Part No.	Description	Qty/Kit
1	36JK0011	Valve kit	JV511004	Valve intake	1
			JV511005	Valve Exhaust	1
2	36JA0003	Valve Repair Kit	28101129	Seat Spring	2
			39201719	Seal Valve Stem	2
			JA511202	Spring washer	2
			JA511203	Retainer valve spring	2
			DG101029	Collet	4
3	36JK0012	Chain Guide Kit	JV541001	Guide Chain Slack side	1
			JA521002	Guide Chain Tight side	1
4	36JW0010	Set Piston Ring	JW521204	Ring Piston (Second)	1
			JW521203	Ring Piston (Oil)	1
			JW521205	Ring Piston (Top)	1
5	36PA0006	Set Drive Driven	JA531010	Gear Primary Drive	1
			JA551401	Clutch Housing Complete	1
6	36DU1007	Boss Kick Kit	30101233	Boss Kick	1
			30101234	Spring	1
			30101236	Ball Steel	1
			30101235	Pin	1
			39085517	E - Type Circlip	1
7	36JK0019	Air screw kit	DH121130	O' Ring	1
			24121062	O' Ring	1
			JK581210	Air Screw	1
			24121064	Spring Air Screw	1
			16121032	Washer	1

Kit List

Sr No	Kit Part No.	Kit Description	Consisting of Following Parts		
			Part No.	Description	Qty/Kit
8	36JK0020	Idling Screw Kit	JK581208	Idling Screw	1
			CB121044	Spring	1
			DH121130	O' Ring	1
9	36JK0021	Jet Kit	JK581203	Needle Jet	1
			JB581218	Pilot Jet	1
			JB581222	Main Jet	1
			JB581223	Jet Holder	1
			JK581205	Jet Needle	1
11	36314001	Bearing Cone kit	DH181023	Bearing Cone	1
			DH181025	Bearing Cone	1
			DH181026	Bearing race	1
			DH181024	Upper Bearing Race	1
12	36JB0003	Chain Sprocket Kit	JK141001	Chain (122 Links)	1
			JA131206	Sprocket (42 T)	1
			JA551010	Sprocket Drive(15 T)	1
13	36DZ0009	Chain Case Kit	Dz161023	Chain Case Upper Assly.	1
			DZ161027	Chain Case Lower Assly.	1
14	36JK0022	Piston Valve Kit	DD121054	E clip	1
			JA581224	Ring	1
			JK581204	Spring Jet Needle	1
			JK581207	Piston Valve assembly	1
			JK581206	Ring Jet Needle	1
			DD121056	Holder Magnet	1

Kit List

Sr No	Kit Part No.	Kit Description	Consisting of Following Parts		
			Part No.	Description	Qty/Kit
15	36JK0026	Carburetor gasket 'O' ring kit	JA581232	O' ring float bowl	1
			DH121118	O' ring drain screw	1
			24121062	O' ring air screw	1
			DH121130	O' ring idling screw / Air screw	2
16	36JK0027	Choke Plunger Kit	FD121017	Guide holder	1
			CF121004	O' ring choke plunger	1
			JK581211	Lever assembly choke	1
			FD121015	Cap	1
			JK581212	Spring Choke plunger	1
			JK581213	Plunger assembly	1
17	36JK0002	Kit Hardware(Leg, Saree gua.)	39220504	Flanged bolt	2
			3273104	Bolt hexagonal socket	2
			JK231204	Hex socket head bolt M10	2
18	36DZ0008	Gear Meter Screw Kit	31151064	Speedo gear (21T)	1
			30151041	Gear meter screw	1
19	36DU1901	Cable Adjuster Kit	30191017	Nut	1
			DD191147	Screw	1
20	36051701	Rubber Inner Bush Kit	30171030	Bush Rubber	4
			30171031	Bush Inner	4

Kit List

Sr No	Kit Part No.	Kit Description	Consisting of Following Parts		
			Part No.	Description	Qty/Kit

Amendment Sheet

AMENDMENT SHEET (PARTS ADDED)					
SR. NO.	PART NUMBER	DESCRIPTION	QTY.	PAGE NO.	FIGURE NO.

Amendment Sheet

AMENDMENT SHEET (PARTS DELETED)					
SR. NO.	PART NUMBER	DESCRIPTION	QTY.	PAGE NO.	FIGURE NO.

Parts Index

Part Number	Figure No.	Page No.	Part Number	Figure No.	Page No.
06201083	5	90	30191070	2	84
14151021	4	60	30191071	4	84
24121069	14	32	30191072	5	84
24121365	5	32	30211005	9	80
30101096	6	28	31101020	2	6
30101142	4	24	31101173	4	12
30101195	4	26	31151004	3	60
30141028	10	78	31151014	16	60
30141031	4	78	31151018	11	64
30141032	11	78	31151021	12	64
30141036	6	78	31151023	16	64
30151038	21	62	31151029	9	64
30151038	22	66	31151060	25	62
30151042	11	60	31151060	15	64
30151069	24	62	31161018	6	80
30151069	14	64	31201028	6	92
30151095	14	68	31201079	6	94
30161169	10	80	31201081	5	22
30171022	9	52	33141008	13	78
30181023	18	74	36314001	4	48
30181025	5	74	36314001	20	74
30181026	4	74	36DF1701	13	50
30181029	11	74	36DU1007	3	30
30181053	6	74	36DU1901	16	70
30191031	7	68	36DZ0008	12	60
30191035	8	68	36DZ0009	1	86
30191036	13	68	36JA0003	5	6
30191038	4	68	36JB0003	3	64
30191069	3	84	36JK0002	3	98

Parts Index

Part Number	Figure No.	Page No.	Part Number	Figure No.	Page No.
36JK0011	4	6	39073817	6	30
36JK0012	6	8	39074301	4	44
36JK0015	2	76	39074601	9	22
36JK0016	2	76	39076101	3	78
36JK0017	2	76	39078408	11	52
36JK0018	2	76	39078912	11	68
36JK0019	10	32	39078912	15	74
36JK0020	11	32	39079415	8	64
36JK0021	12	32	39079708	3	56
36JK0022	4	32	39079708	6	68
36JK0026	15	32	39079815	8	82
36JK0027	8	32	39080708	9	68
36JK0028	1	36	39080808	1	68
36JK0029	1	22	39081302	14	88
36JK0030	2	20	39081715	12	18
36JK0031	5	10	39081715	1	92
36JK0033	1	4	39090012	15	60
36JK0034	1A	22	39097804	7	64
36JK0035	1	24	39098004	11	28
36JW0010	3	10	39098717	3	14
36JW0014	17	40	39099206	2	16
36PA0006	8	12	39099311	5	30
36PA0006	4	28	39099906	12	22
39019811	2	68	39100006	2	10
39042215	9	56	39100006	6	20
39045411	7	50	39100006	11	22
39055302	8	50	39100120	15	28
39059417	12	8	39101321	10	60
39070815	10	68	39104119	3	24

Parts Index

Part Number	Figure No.	Page No.	Part Number	Figure No.	Page No.
39107404	3	70	39212215	16	50
39118415	9	70	39214124	6	88
39122515	7	90	39217924	2	78
39128321	7	4	39219019	7	22
39130911	15	50	39219804	15	8
39136420	10A	64	39220504	7	48
39151011	6	60	39222204	3	54
39155304	11	42	39224020	4	64
39155304	23	72	39224915	22	72
39155304	8	80	39231204	6	46
39167121	20	24	39240817	12	30
39167504	3	42	39243704	5	40
39171519	4	22	39248304	15	92
39175904	17	22	39249211	8	36
39177304	10	34	39256220	2	22
39178301	11	92	39258501	13	88
39181304	16	74	39260011	3	28
39186420	6	12	39266921	16	8
39188020	14	8	39268020	1	60
39190315	17	50	39268220	10	64
39194004	2	94	39268320	13	8
39194304	9	82	39270411	7	18
39194304	10	88	39272315	3	46
39196404	14	20	39275404	9	36
39197015	8	46	39275821	10	78
39197215	12	92	39276501	16	92
39198104	23	14	52JA0023	1	38
39201719	6	6	52JA0028	14	28
39204401	5	34	59040017	7	46

Parts Index

Part Number	Figure No.	Page No.	Part Number	Figure No.	Page No.
59040027	4	86	DD181207	14	74
59040028	3	86	DD191142	12	70
59040038	11	20	DD201002	18	92
59040038	16	22	DD201011	7	92
59040038	17	24	DD201170	13	70
59040038	2	26	DE181031	8	74
59110008	2	12	DF141128	2	80
59120003	3	12	DF161102	8	56
59150014	1	12	DF161413	2	52
59200036	3	20	DF161416	2	86
59200036	3	22	DF181052	3	48
59210023	14	22	DF181085	12	74
59210024	20	14	DF181090	2	48
CB101114	2	36	DF181091	18	70
CB121046	17	32	DF181092	19	70
CB121061	3	32	DG101029	3	6
CL201023	2	88	DG101339	11	18
CS101128	9	8	DG101418	7	24
DD101097	13	30	DG111008	7	42
DD101480	7	28	DG141019	1	80
DD111011	9	42	DG161118	3	80
DD111012	10	42	DG161224	5	56
DD111048	8	42	DH101048	4	8
DD121181	19	24	DH101125	4	30
DD141227	7	78	DH101163	10	40
DD161078	16	68	DH101264	6	22
DD161380	4	56	DH101380	8	20
DD181011	17	74	DH101380	4	42
DD181205	13	74	DH101388	15	24

Parts Index

Part Number	Figure No.	Page No.	Part Number	Figure No.	Page No.
DH101388	9	26	DP161007	1	54
DH101392	7	8	DP161075	4	92
DH101509	10	18	DP161077	4	80
DH101607	5	36	DP161094	7	54
DH101781	2	40	DP161100	17	92
DH161066	7	56	DP161101	14	92
DH161194	3	52	DP161102	3	44
DJ161069	5	54	DP161144	9	92
DJ181115	5	48	DP161145	13	92
DJ191054	6	70	DP161163	10	52
DJ191055	7	70	DP171006	4	50
DJ221003	25	72	DP181012	7	88
DJ221004	26	72	DP181013	8	88
DK101135	8	16	DP181021	10	92
DK201078	12	94	DP181040	12	88
DL181009	5	88	DP201019	3	92
DL181010	4	88	DP201044	8	92
DL181080	1	74	DP211009	2	44
DL191014	8	70	DS101117	8	30
DL191020	2	82	DS101154	7	12
DM151025	3	58	DS101215	8	24
DM151028	5	58	DS121126	12	34
DM181036	7	74	DS141009	1	78
DP101165	4	10	DS151049	4	58
DP101269	6	24	DS151053	6	58
DP121025	13	34	DS151090	19	64
DP121030	7	34	DS151091	20	60
DP151018	2	30	DS151094	17	60
DP161006	6	54	DS151094	24	66

Parts Index

Part Number	Figure No.	Page No.	Part Number	Figure No.	Page No.
DS151095	19	60	DZ181001	3	88
DS161125	4	54	DZ181003	11	88
DS191018	24	72	DZ181004	14	78
DS191038	11	70	DZ181004	7	80
DS191052	15	70	DZ181063	6	90
DS201025	11	94	DZ191005	1	82
DS201081	9	94	DZ191008	6	82
DU101085	7	20	DZ191009	5	82
DU101213	22	14	DZ191010	10	82
DU141041	8	78	DZ191014	7	84
DU151010	6	64	DZ191019	8	84
DU161098	2	54	DZ201002	9	78
DU181021	1	70	DZ201015	5	92
DU181069	10	74	DZ201016	2	92
DU191003	14	70	DZ201019	9	78
DU191009	10	70	DZ221005	1	96
DU191021	3	82	FD101078	3	38
DU191023	4	82	FD181012	9	74
DU191024	7	82	FD181019	20	70
DU201101	1	88	FD181020	21	72
DU201108	1	88	FD181030	2	70
DX151018	20	64	FD181031	17	70
DZ101034	12	78	GF201036	13	94
DZ141040	5	78	GF201053	14	94
DZ161141	8	48	JA113011	4	52
DZ161143	5	80	JA113403	4	46
DZ171009	6	50	JA113404	5	46
DZ171014	1	50	JA131205	17	64
DZ171016	19	50	JA131606	9	60

Parts Index

Part Number	Figure No.	Page No.	Part Number	Figure No.	Page No.
JA161003	17	68	JA531015	10	12
JA351209	7A	42	JA541005	8	22
JA351600	7	40	JA541005	11	26
JA351602	11	40	JA541010	5	20
JA351604	8	40	JA541011	4	20
JA351606	9	40	JA541012	13	20
JA351608	12	40	JA541014	12	20
JA351609	13	40	JA541015	9	20
JA351618	14	40	JA541016	2	38
JA351619	16	40	JA541018	4	38
JA351624	15	40	JA541019	13	22
JA351626	9	40	JA541020	18	22
JA351627	11	40	JA541021	15	22
JA511005	2	4	JA541027	19	22
JA511006	4	4	JA541028	13	42
JA511011	6	2	JA541034	10	22
JA511011	14	34	JA541044	6	26
JA511028	3	4	JA541205	5	26
JA511029	7	2	JA541211	11	24
JA511029	4	34	JA541212	16	24
JA511216	2	8	JA541215	13	24
JA511217	3	8	JA541216	14	24
JA521001	1	10	JA541219	21	24
JA521015	6	10	JA541220	8	26
JA521017	8	8	JA541221	10	26
JA521018	10	8	JA541225	12	24
JA521019	11	8	JA541233	3	26
JA521019	22	24	JA541235	10	20
JA531012	9	12	JA541236	9	24

Parts Index

Part Number	Figure No.	Page No.	Part Number	Figure No.	Page No.
JA541237	10	24	JA621410	3	40
JA541241	1	26	JA621414	1	40
JA551002	4	14	JB113004	6	36
JA551004	8	14	JB122011	12	50
JA551007	15	14	JB131018	3	50
JA551008	18	14	JB131019	21	66
JA551009	19	14	JB131222	2	58
JA551206	16	14	JB131222	13	64
JA551406	2	28	JB131224	26	66
JA551416	12	28	JB131225	1	64
JA551420	13	28	JB131605	25	66
JA561209	6	18	JB141001	27	66
JA561211	8	18	JB161002	12	68
JA581218	9	4	JB401400	5	70
JA581221	13	32	JB401409	27	72
JA581232	2	32	JB511011	4	2
JA581233	9	32	JB531005	5	8
JA581238	7	32	JB531021	11	12
JA581314	16	32	JB541203	7	26
JA581406	6	4	JB551408	5	28
JA581407	10	4	JB551411	8	28
JA591037	7	36	JB551412	10	28
JA591040	3	36	JB561400	9	18
JA621002	9	30	JB581005	6	34
JA621003	10	30	JB581011	8	34
JA621006	11	30	JB581012	9	34
JA621201	1	30	JB581013	3	34
JA621402	4	40	JB581018	11	34
JA621406	6	40	JB581202	6	32

Parts Index

Part Number	Figure No.	Page No.	Part Number	Figure No.	Page No.
JB591026	4	36	JK113201	1	56
JD531004	12	12	JK113202	2	56
JD551000	1	14	JK113203	6	56
JD551002	9	14	JK113400	2	46
JD551200	14	14	JK113403	1	46
JD551201	7	14	JK113800	10	94
JD551202	11	14	JK121012	2	74
JD551203	12	14	JK121013	3	74
JD551204	13	14	JK121014	19	74
JD551205	6	14	JK122003	18	50
JD551206	5	14	JK122005	14	50
JD551207	2	14	JK122006	2	50
JD551208	10	14	JK122007	9	50
JD551209	17	14	JK122008	5	50
JD551400	1A	28	JK122009	11	50
JD561002	7	16	JK122010	10	50
JD561004	5	16	JK122011	15	68
JD561005	6	16	JK131016	13	60
JD561006	4	16	JK131018	14	60
JD561011	3	16	JK131021	1	58
JD561203	4	18	JK131021	2	60
JD561204	5	18	JK131023	8	60
JD621001	7	30	JK131024	18	60
JK111055	1	48	JK131025	23	62
JK113006	5	52	JK131201	18	64
JK113007	6	52	JK131202	5	64
JK113008	7	52	JK131203	23	66
JK113009	8	52	JK131204	2	64
JK113012	1	52	JK131800	5	68

Parts Index

Part Number	Figure No.	Page No.	Part Number	Figure No.	Page No.
JK131802	7	94	JK531000	5	12
JK131803	8	94	JK541201	2	24
JK131806	22	62	JK541202	23	24
JK131807	5	60	JK551400	1	28
JK161001	3	68	JK551402	9	28
JK161200	9	84	JK581000	1	34
JK161201	6	84	JK581200	2	34
JK161202	1	84	JK581201	1	32
JK181001	15	88	JK581209	18	32
JK191003	1	44	JK581400	8	4
JK231201	1	98	JK581401	5	4
JK231203	2	98	JK71033F	1	76
JK231400	6	48	JK71034C	1	76
JK351005	2	42	JK71034D	1	76
JK351008	1	42	JK71034N	1	76
JK351202	5	42	JK73013F	6	76
JK351210	6	42	JK73014C	6	76
JK401007	3	90	JK73014D	6	76
JK401008	4	90	JK73014N	6	76
JK401009	1	90	JK73023F	7	76
JK401010	2	90	JK73024C	7	76
JK401401	4	70	JK73024D	7	76
JK402003	12	42	JK73024N	7	76
JK402201	5	94	JK73033F	4	76
JK402205	4	94	JK73034C	4	76
JK402209	3	94	JK73034D	4	76
JK402403	5	82	JK73034N	4	76
JK402409	11	82	JK73043F	5	76
JK501000	1	20	JK73044C	5	76

Parts Index

Part Number	Figure No.	Page No.	Part Number	Figure No.	Page No.
JK74013F	3	76			
JK74014C	3	76			
JK74014D	3	76			
JK74014N	3	76			
JV511006	1	6			
JV511007	1	8			
JV511011	5	2			
JV511012	3	2			
JV511013	1	2			
JV541007	2	2			
JV551000	21	14			
JV551002	9	14			
JW233000	12	26			
JW401600	1	94			
JW541000	18	24			
JW541005	5	24			
JW561205	1	18			
JW561206	2	18			
JW561208	3	18			
JZ551204	16	14			
JZ551205	15	14			
JZ561000	1	16			
KADF0610	9	88			
LCJ00001	7	60			